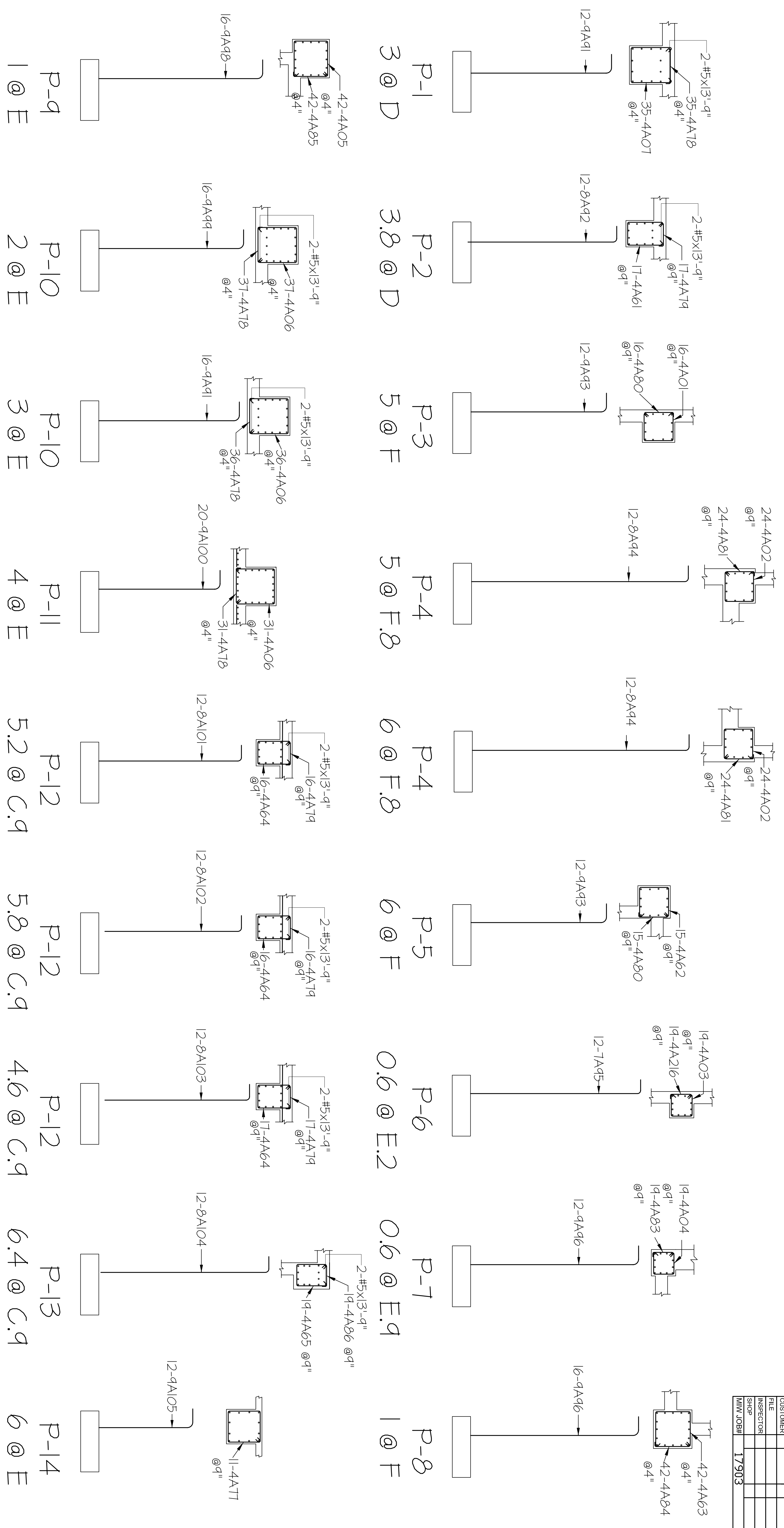
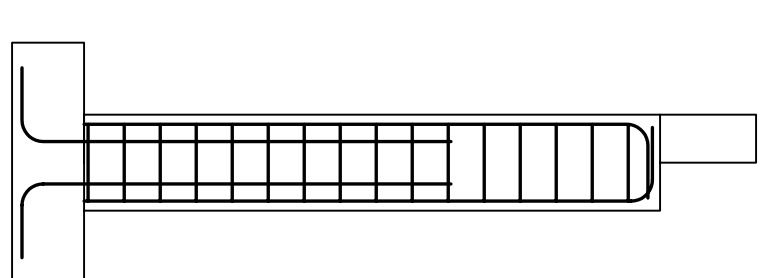


COPIES ISSUED BY MIW			
FOR	NO	DATE	NO
APPROVAL			
APPROVAL			
SHOP			
FIELD			
CUSTOMER			
FILE			
INSPECTOR			
SHOP			
MIW JOB#	17903		



FOR REINFORCING SEE LOCATION AND DETAIL.
TURN ALL TAILS IN AND CONTINUE WALL VERTS THROUGH PILASTER.



LOWER ELEVATION PILASTERS

SEE SHEET #01 FOR LAYOUT

- NOTES:
1. CLEAR 1 1/2" INSIDE FORMED SURFACES
 2. CLEAR 2" FORMED SURFACES TO EARTH
 3. CLEAR 3" ALL SIDES SPREAD FTGS.
 4. STAGGER ALL LAPS
 5. ALTERNATE ALL HOOKS AND HAIRPIN CAPS
 6. LAPS AS LISTED UNLESS OTHER WISE NOTED
- #4 - 2-5"
#5 - 3-0"
#6 - 3-7"
#7 - 5-2"
#8 - 5-11"

REVISIONS	BY
2 FINAL I/O/T/O	DD

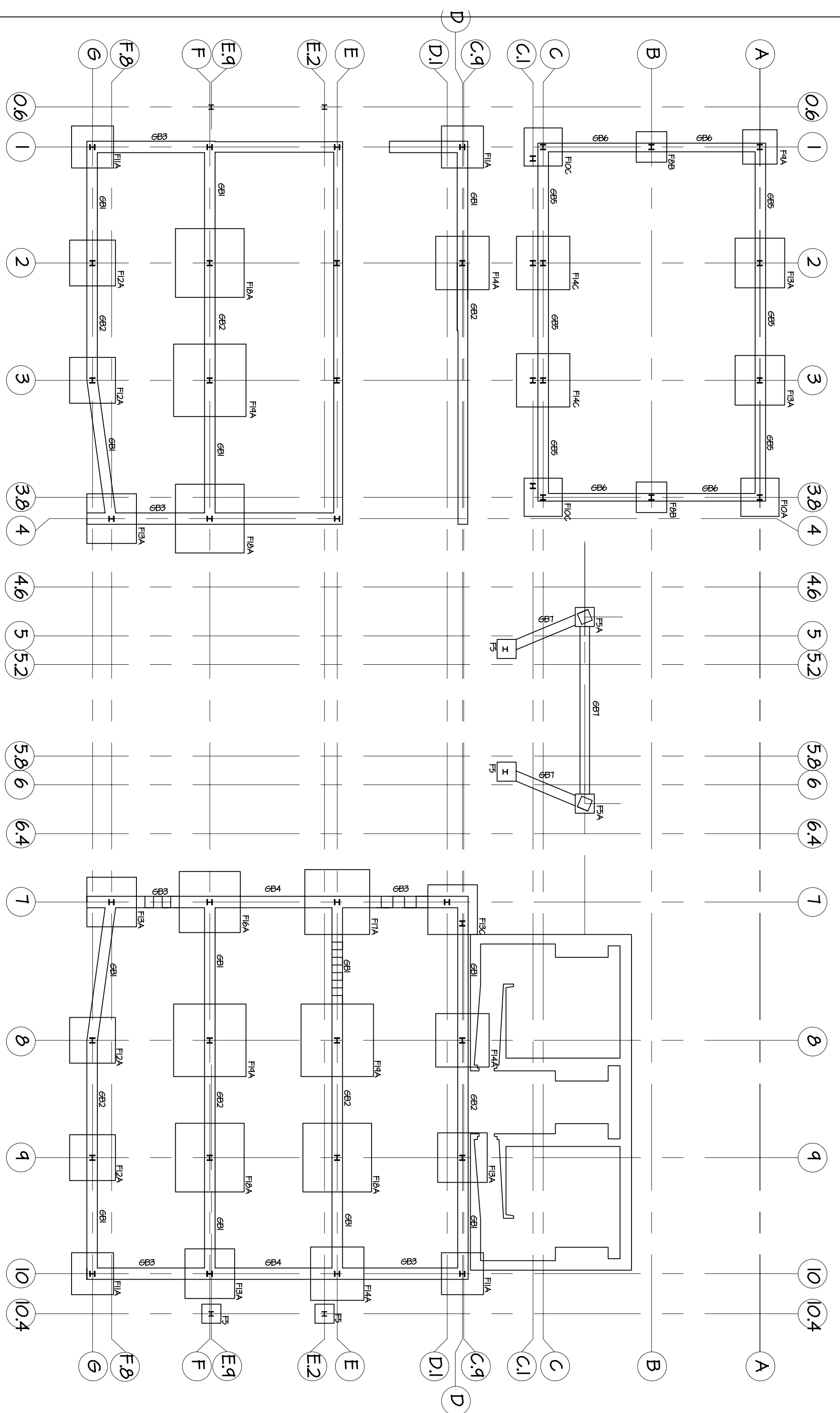
The full intent and purpose of this drawing is the placing and fabrication of reinforcing steel bars ONLY.
It is NOT to be used as a means of communication between the Architect, Engineer, Contractor or any other Sub-Contractor/Trade.

Reinforcing steel placing drawings only. Use in conjunction with contract drawings and specifications. Elevations and dimensions shown in this drawing are for detailing purposes only and should not be used for construction unless verified by engineer or contractor.

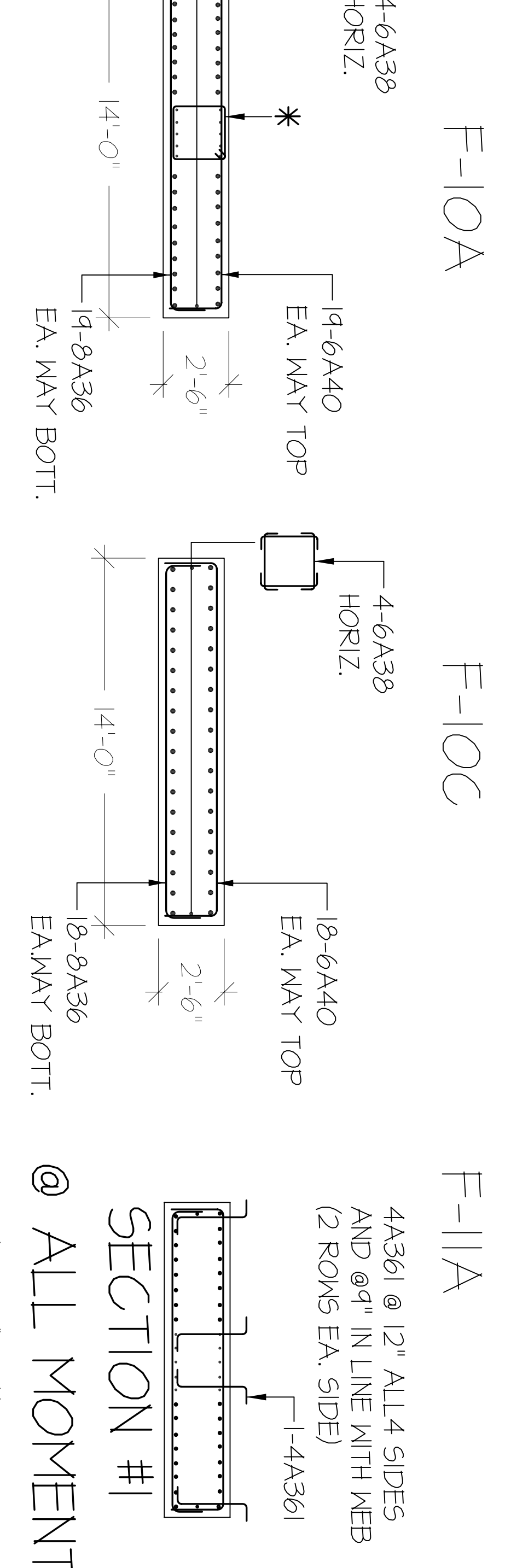
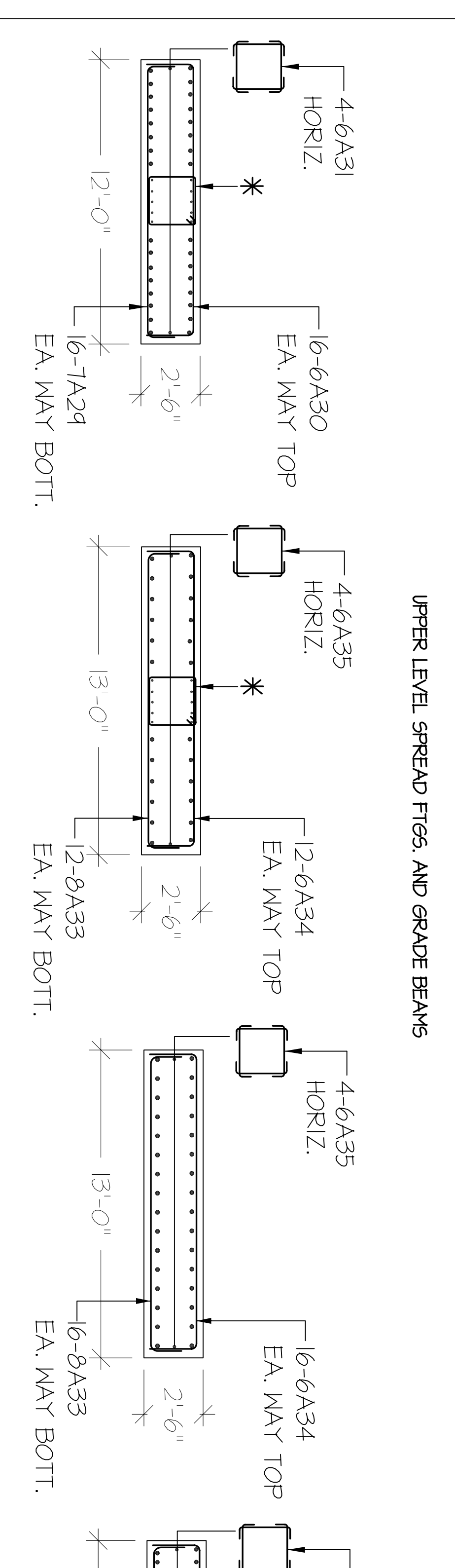
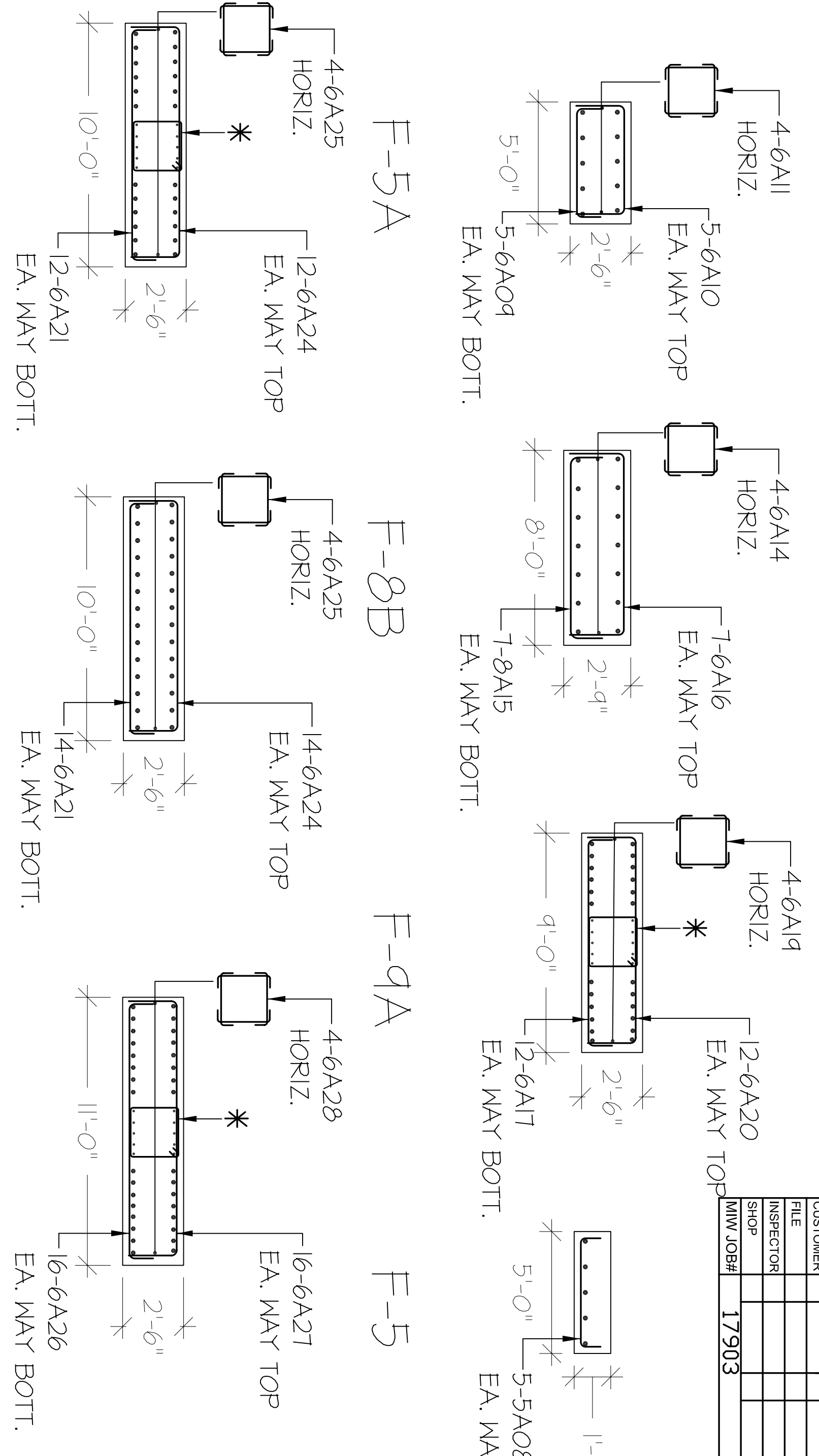
MOS
Man of Steel Drafting, INC.
735 FLANDERS RD. RENO, NV 89511
TEL: (775) 853-6633 FAX: (775) 853-6667

MARTIN IRONWORKS
530 E. FOURTH RENO, NV 89512
(775) 329-8631

MOS#1 JOB # 1103-3
DATE 12/05/03
DRAWN BY: DD
PROJECT NAME ST. MARY'S EXPANSION
TITLE OF DWG LOWER PILASTERS
SHEET 07
OF 25 SHEETS

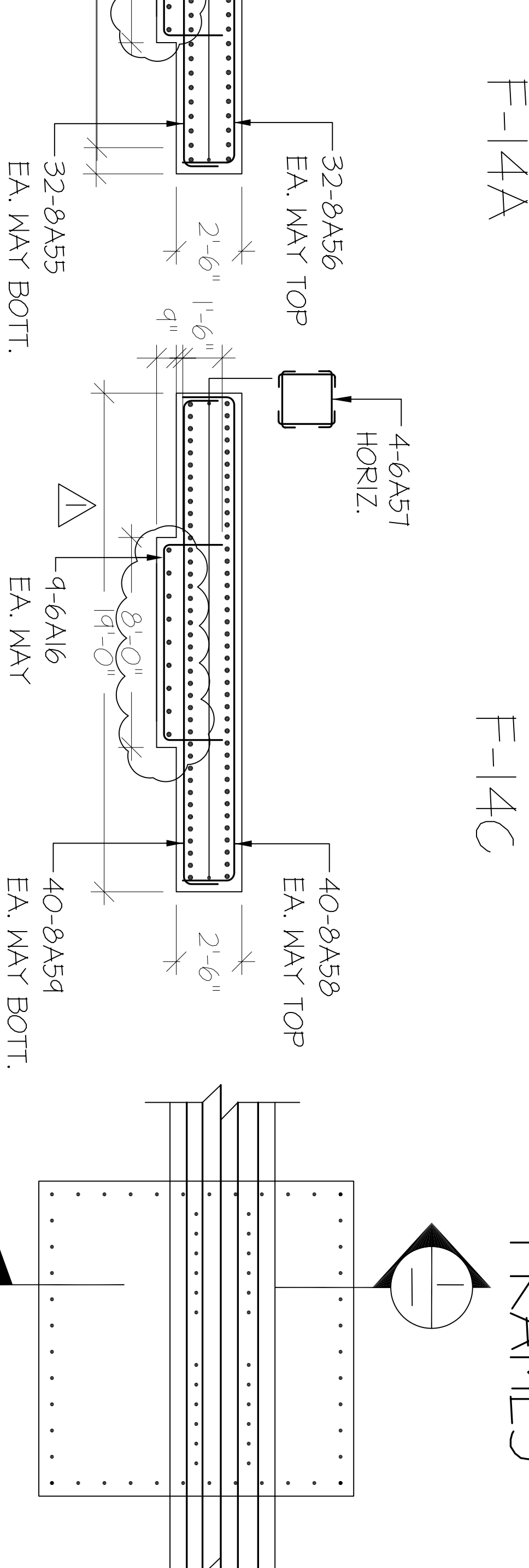
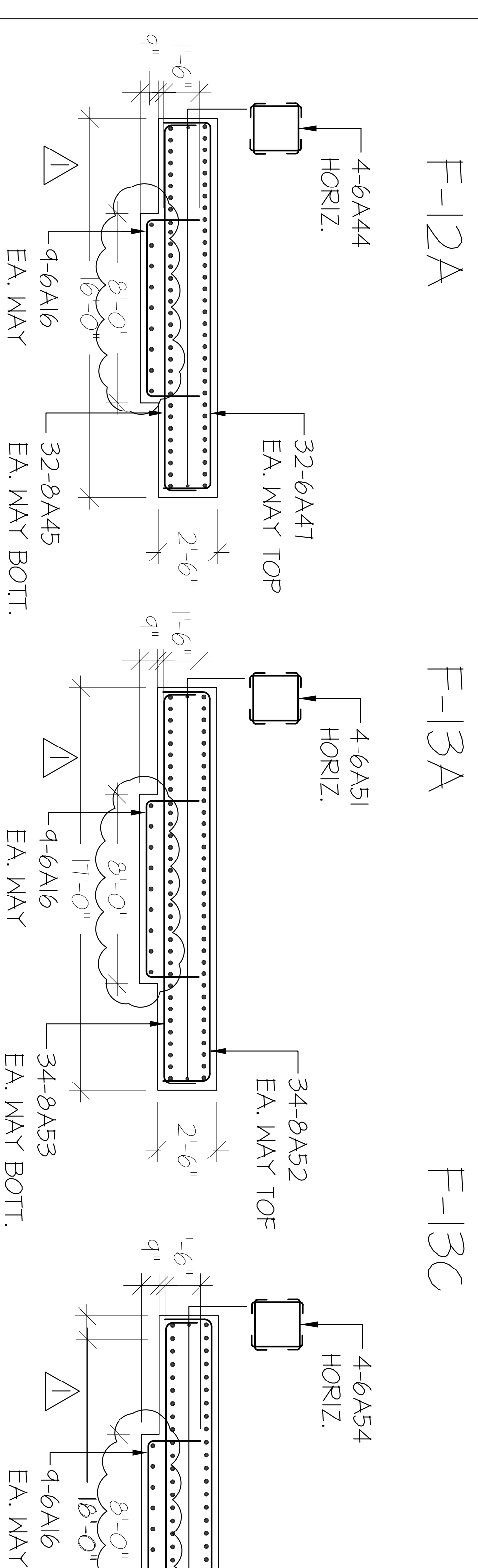


UPPER LEVEL SPREAD FTG6 AND GRADE BEAMS



SECTION #1

@ ALL MOMENT FRAMES



* WHERE GRADE BEAM OCCURES THRU SPREAD FTG., ARRANGE FTG. BARS TO OUTSIDE OF BEAM.

SPREAD FTGS. FIRST FLOOR FOUNDATION

MOMENT FRAME FTGS.

COPIES ISSUED BY MIV					
FOR	NO.	DATE	NO.	DATE	
FOR					
APPROVAL					
SHOP					
FIELD					
CUSTOMER					
INSPECTOR					
SHOP					
MIV JOB#	17903				

REVISIONS		BY
1	DATE	DD
2	FINAL 1/10/04	DD

The full intent and purpose of this drawing is the placing and fabrication of reinforcing steel bars ONLY. It is NOT to be used as a means of communication between the Architect, Engineer, Contractor or any other Sub-Contractor/Trade. Reinforcing steel placing drawings only. Use in conjunction with contract drawings and specifications. Elevations and dimensions shown in this drawing are for detailing purposes only and should not be used for construction unless verified by engineer or contractor.

MOS
Man of Steel Drafting, Inc.
735 FLANDERS RD. RENO, NV 89511
TEL: (775) 853-6633 FAX: (775) 853-6667

MARTIN IRONWORKS
530 E. FOURTH RENO, NV 89512
(775) 329-8631

MOSDI JOB # 1103-3
DATE 12/02/03
DRAWN BY: DD
PROJECT NAME ST MARY'S EXPANSION
TITLE OF DWG. FIRST FLR SPRD FTGS.
SHEET 04
OF 25 SHEETS

CORNER ISSUED BY MIW			
FOR	NO.	DATE	NO.
APPROVAL			
SHOP			
FIELD			
CUSTOMER			
FILE			
INSPECTOR			
SHOP			
MIW JOB#	17903		

REVISIONS	BY
1	DP
2	DP
3	
4	
5	

The full intent and purpose of this drawing is the placing and fabrication of reinforcing steel bars.

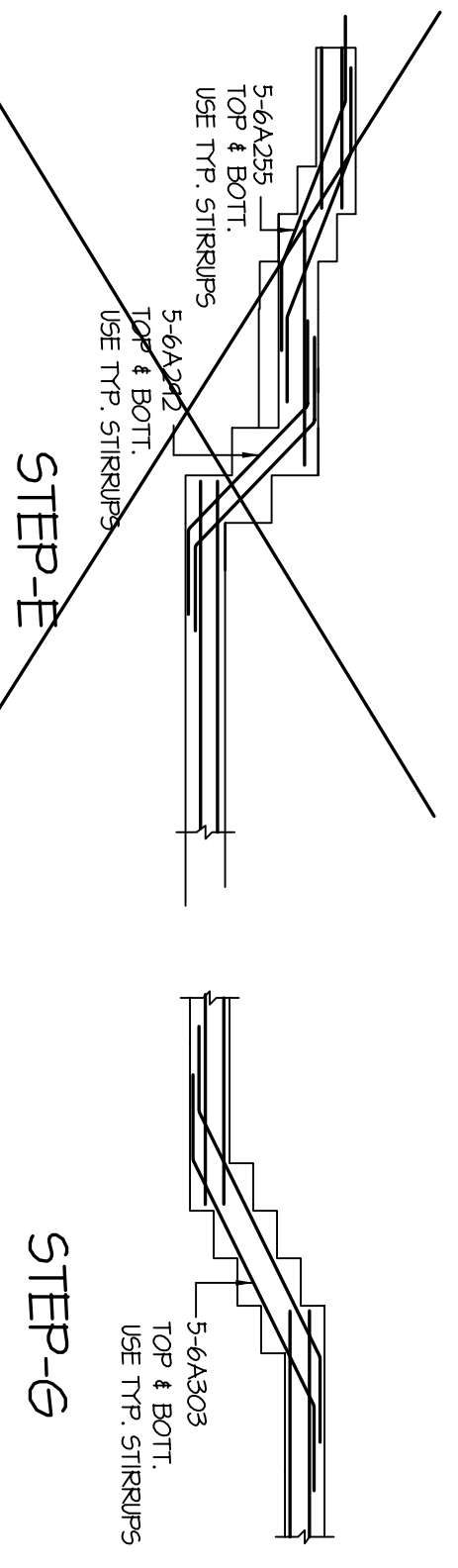
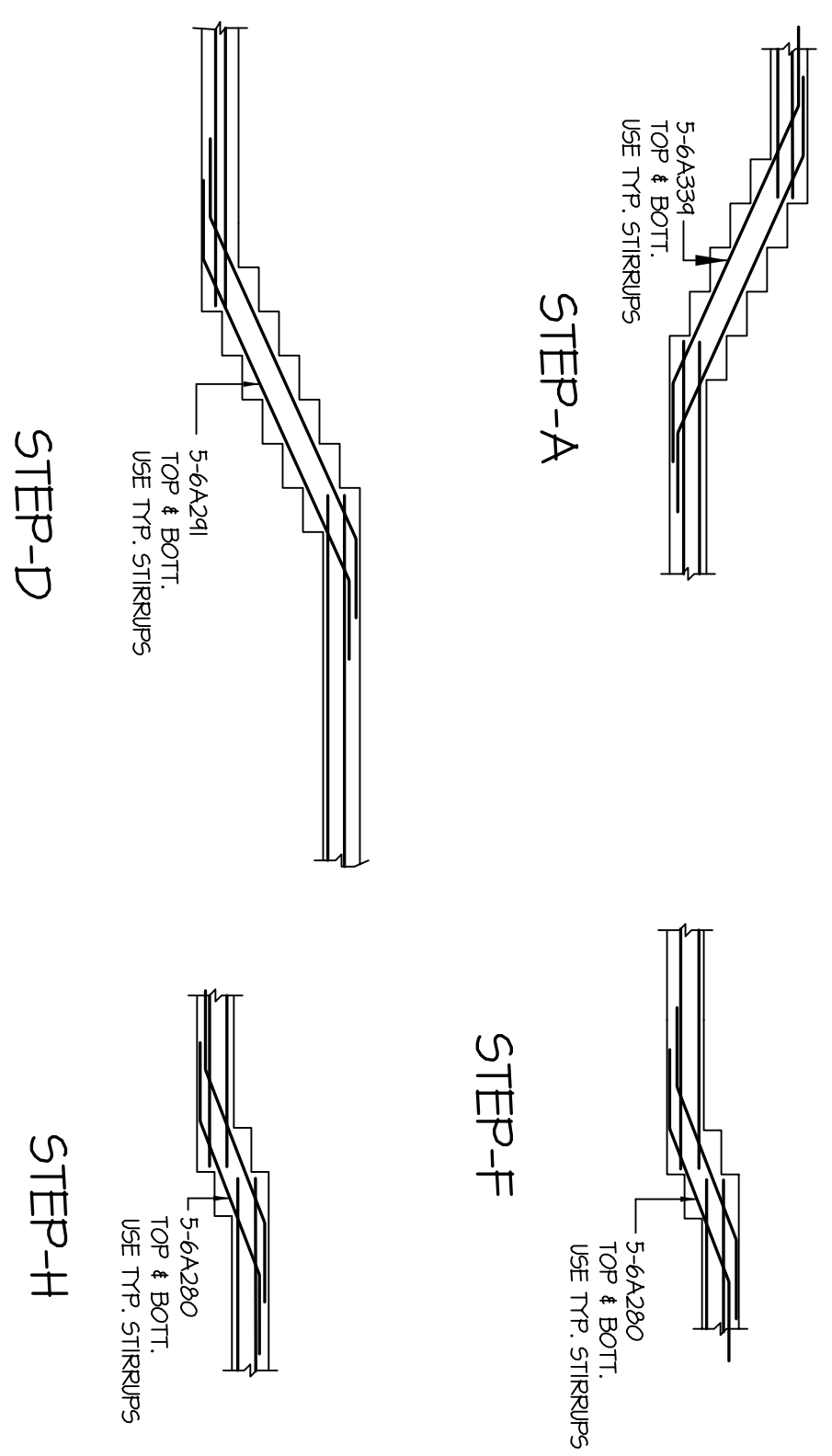
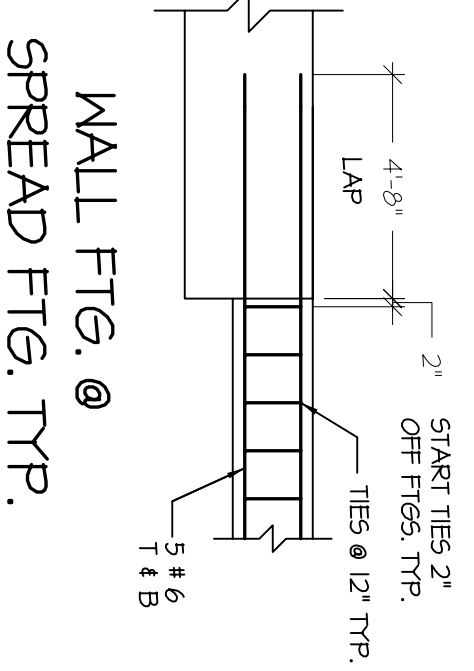
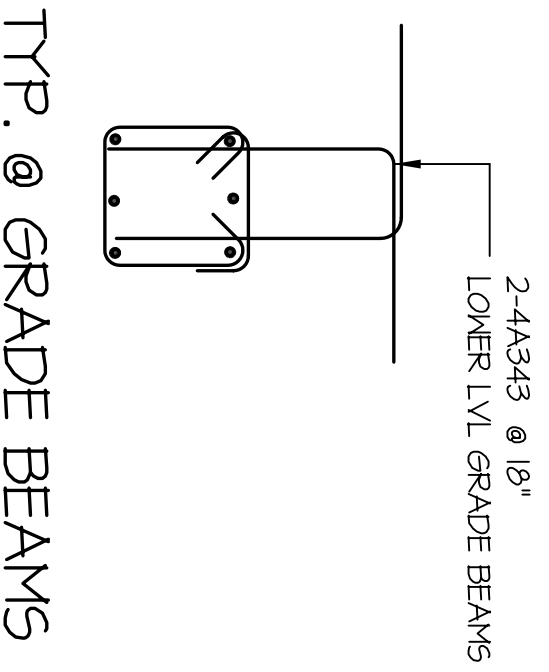
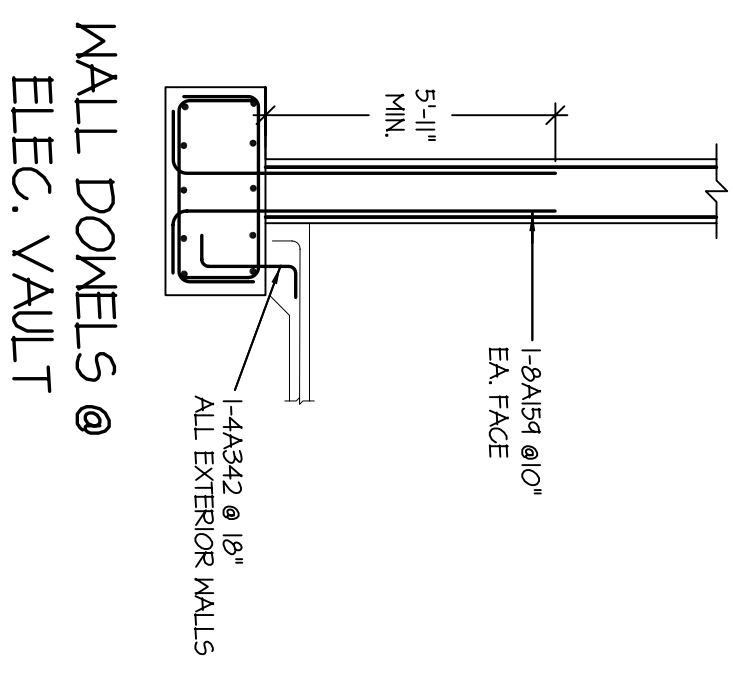
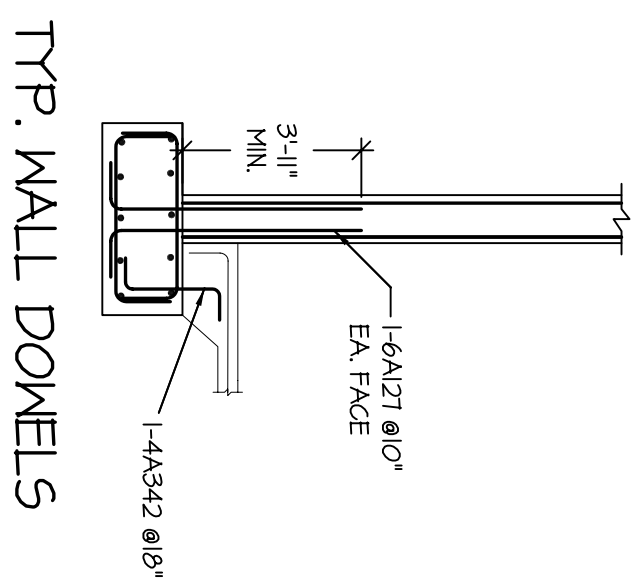
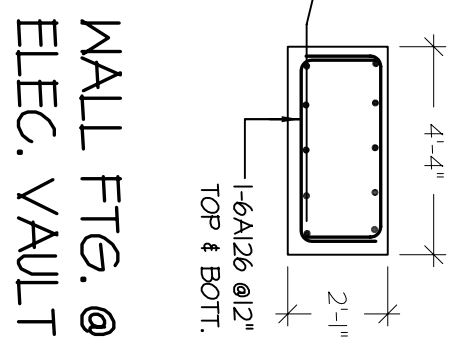
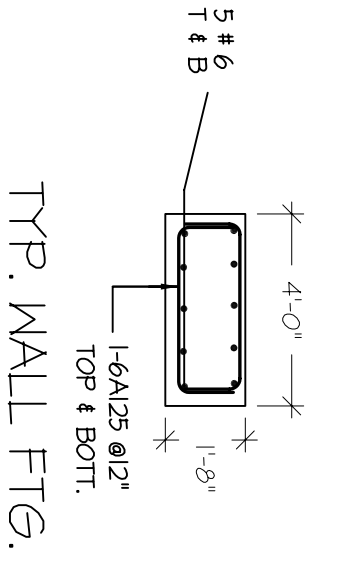
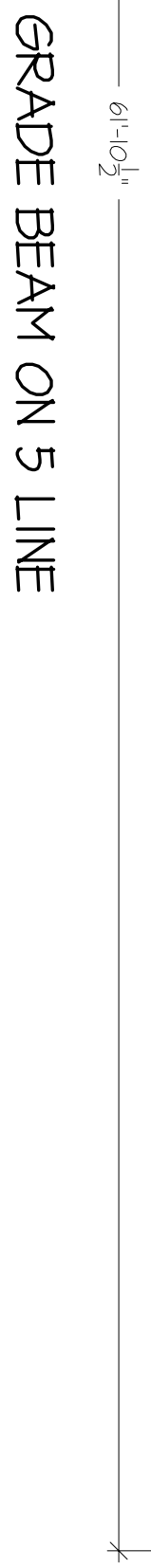
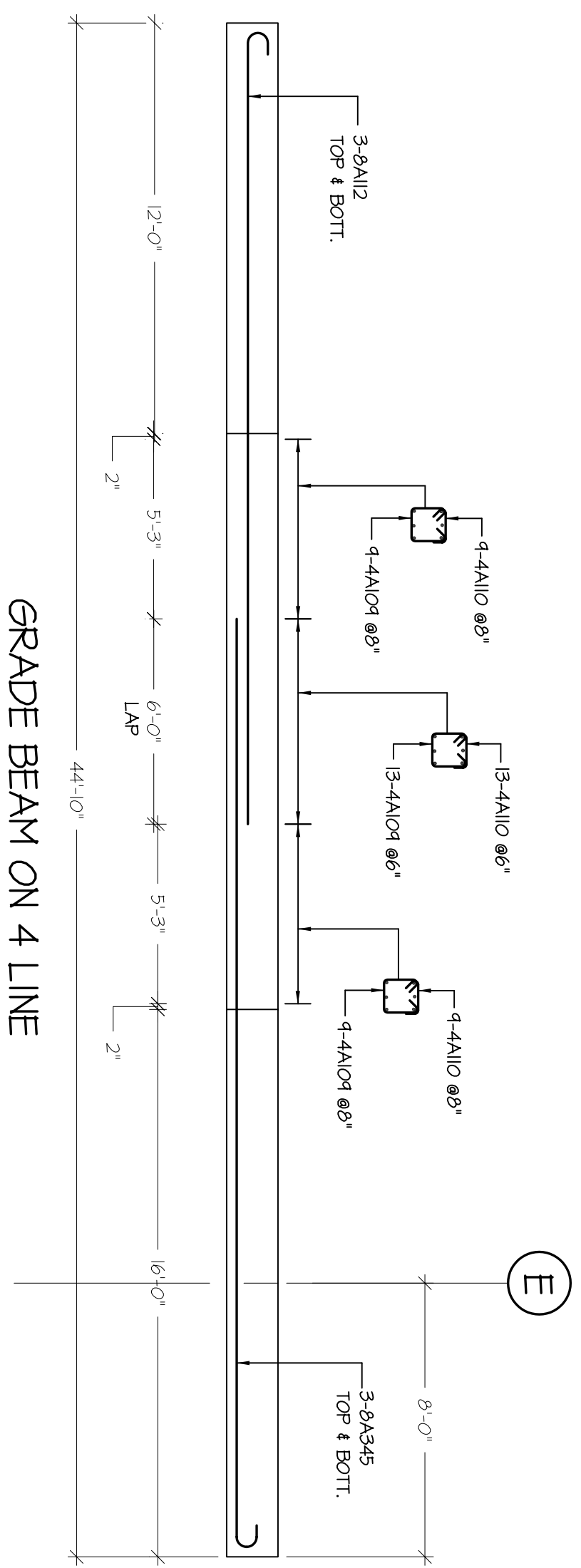
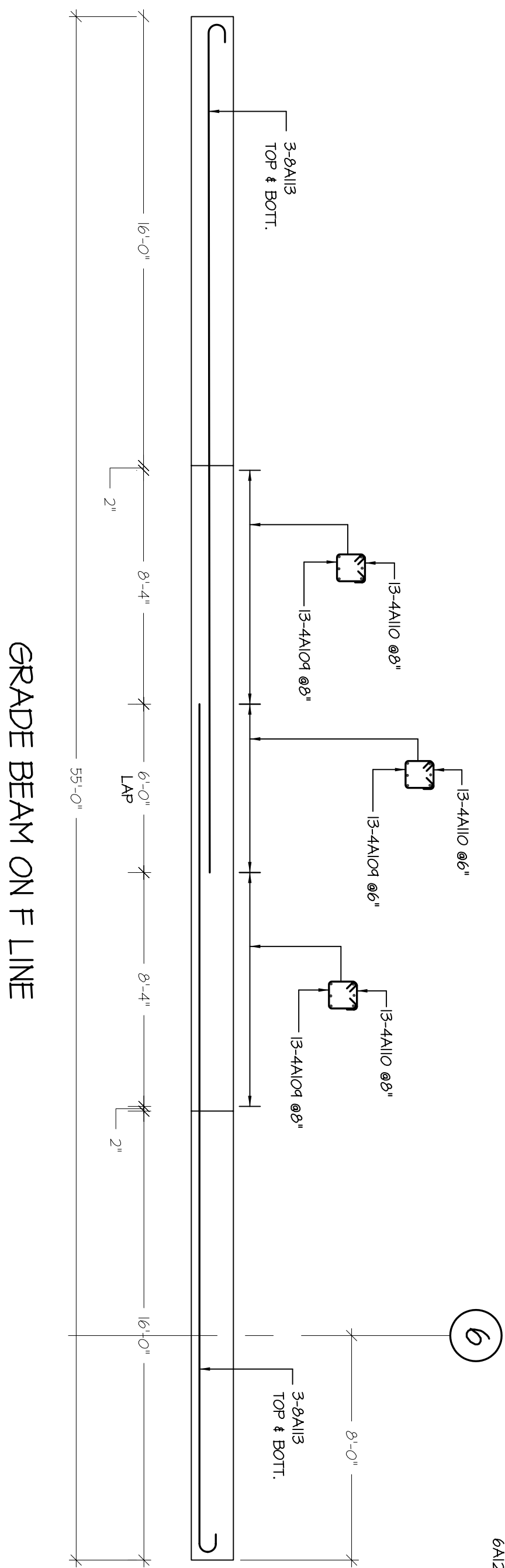
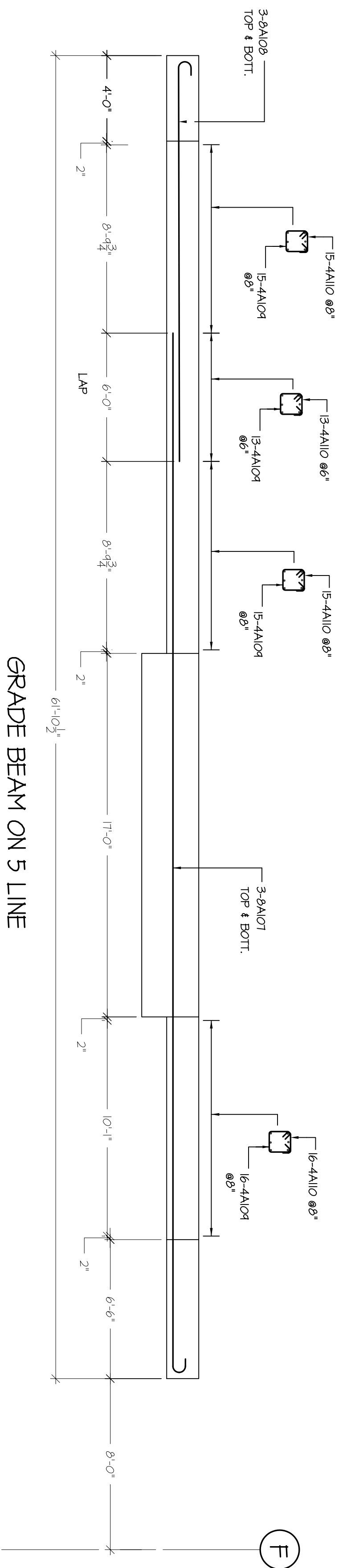
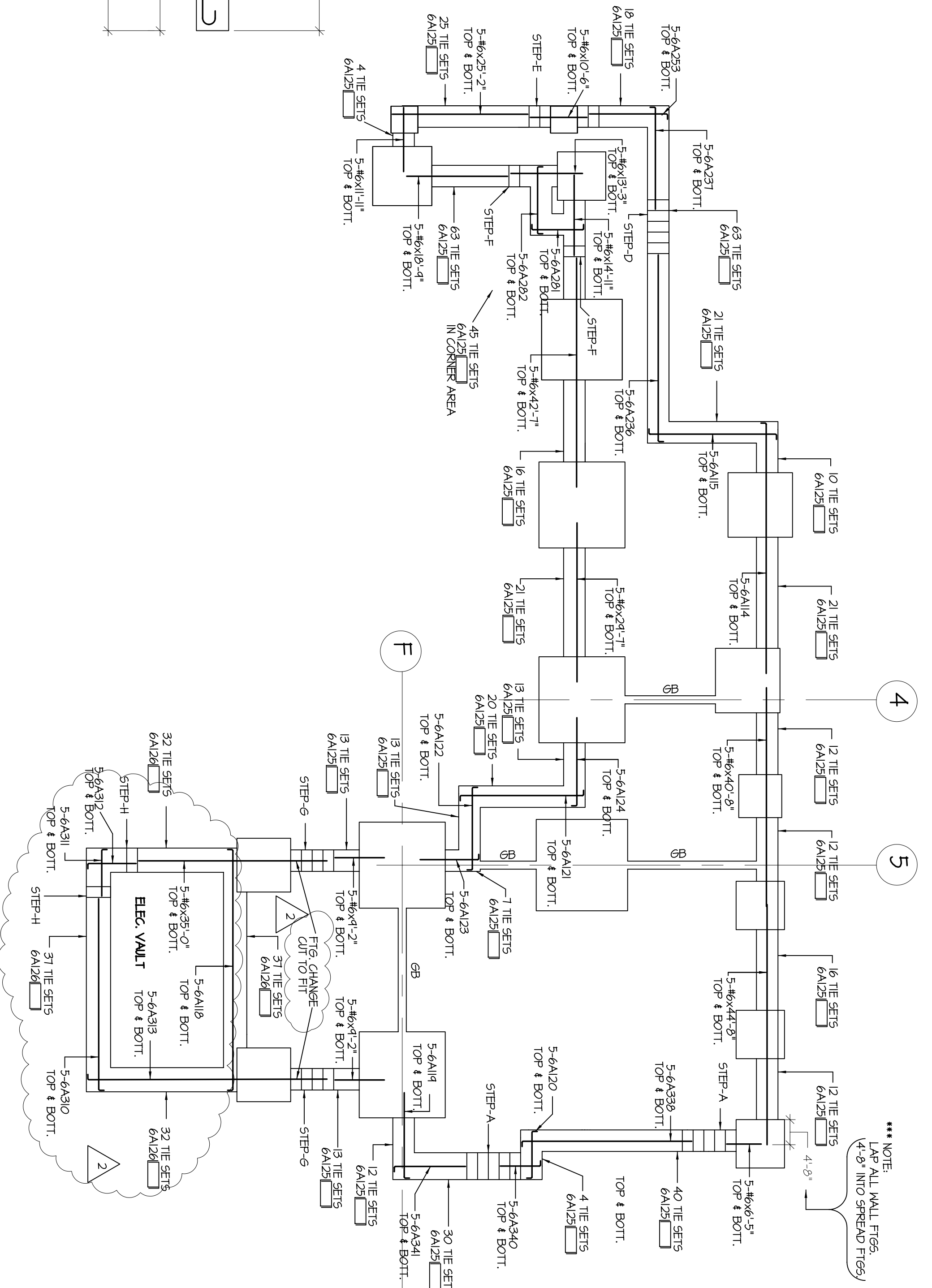
It is NOT to be used as a means of communication between the Architect, Engineer, Contractor or any other Sub-Contractor/Trade.

Reinforcing steel placing drawings only. Use in conjunction with contract drawings and specifications. Elevations and dimensions shown in this drawing are for detailing purposes only and should not be used for construction unless verified by engineer or contractor.

MOS
Man of Steel Drafting, INC.
735 FLANDERS RD. RENO, NV 89511
TEL: (775) 853-6633 FAX: (775) 853-6667

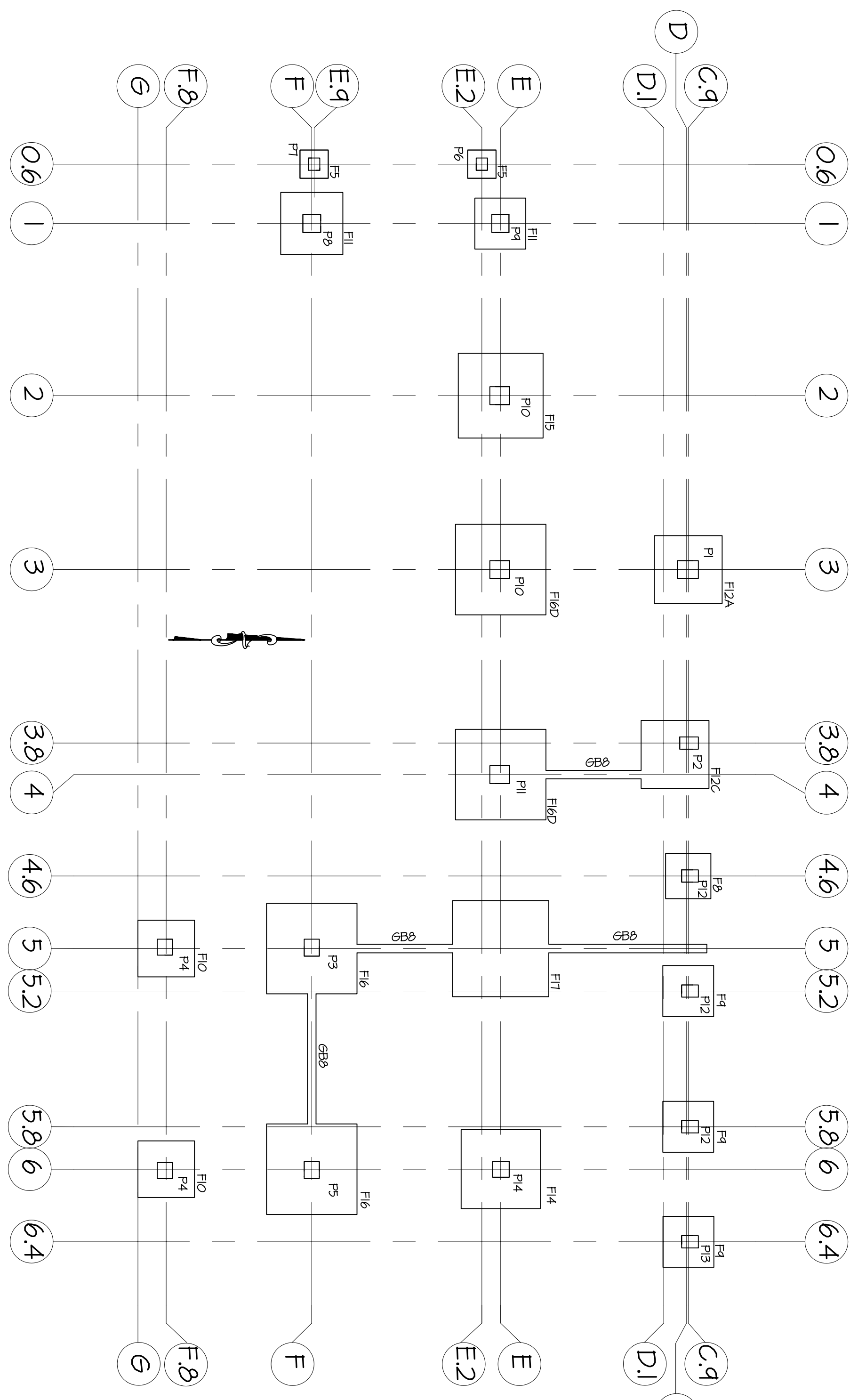
MARTIN IRONWORKS
530 E. FOURTH RENO, NV 89512
(775) 329-8631

MOISD JOB #	1103-3
DATE	11/26/03
DRAWN BY:	DD
PROJECT NAME	ST. MARY'S EXPANSION
TITLE OF DWG.	LWR GB-WALL FTGS.
SHEET	

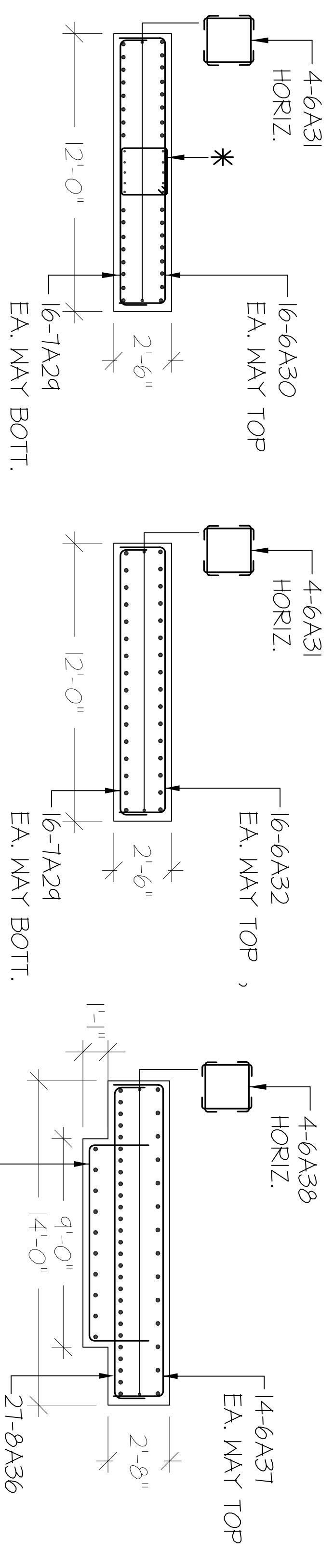


- NOTES:**
1. CLEAR 1/2" INSIDE FORMED SURFACES
 2. CLEAR 2" FORMED SURFACES TO EARTH
 3. CLEAR 3" ALL SIDES SPREAD FTGS.
 4. STAGGER ALL LAPS
 5. ALTERNATE ALL HOOKS AND HARPIN CAPS
 6. LAPS AS LISTED UNLESS OTHERWISE NOTED
- #4 - 2-5"
#5 - 3-0"
#6 - 3-1"
#7 - 5-2"
#8 - 5-11"

COPIES ISSUED BY MIM			
FOR	NO.	DATE	NO.
APPROVAL			
APPROVAL			
SHOP			
FIELD			
CUSTOMER			
FILE			
INSPECTOR			
SHOP			
MIM JOB#	17903		



LOWER LEVEL SPREAD FTGS. AND GRADE BEAMS



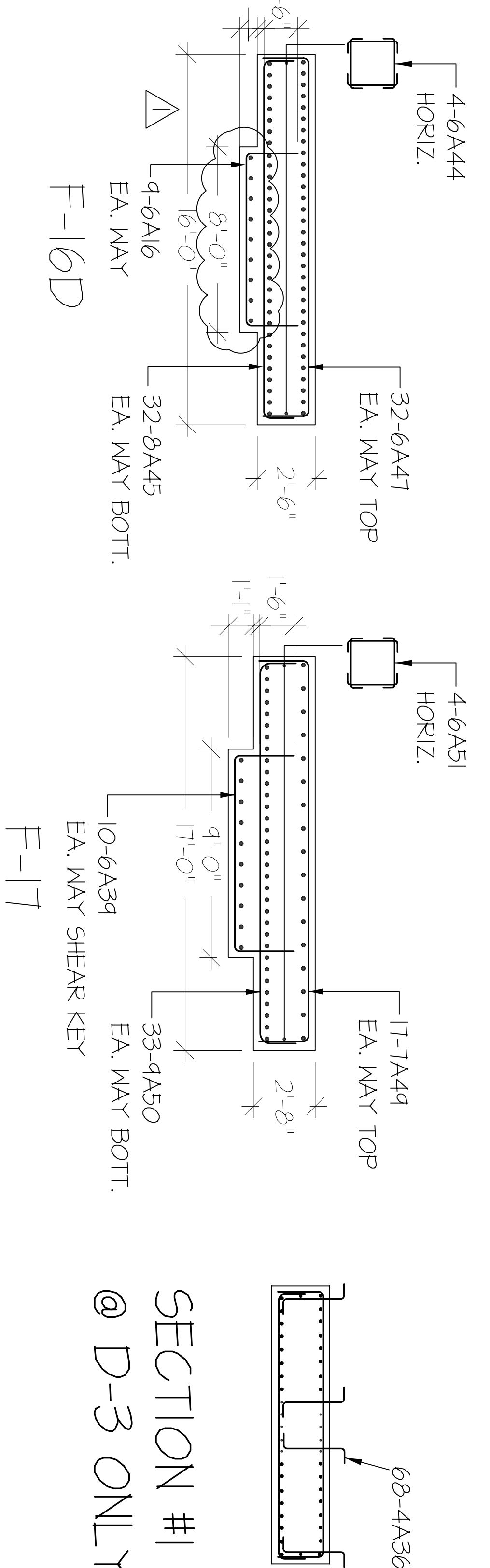
F-12A

F-12C

F-14

F-15

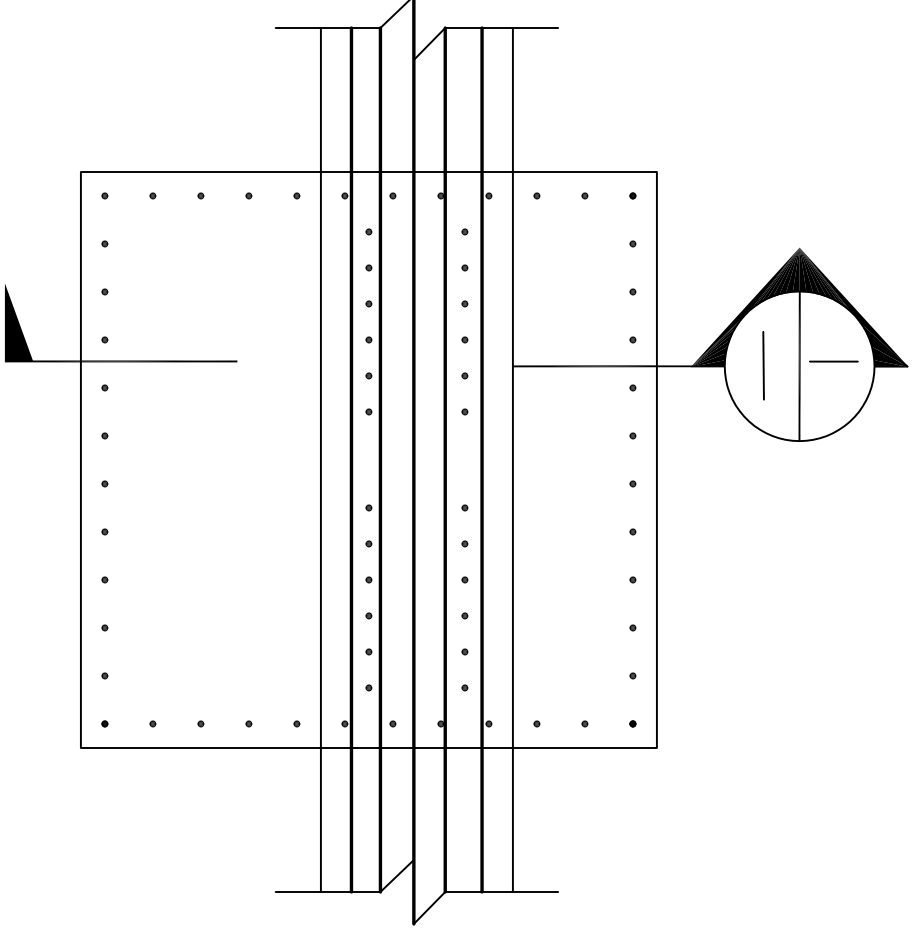
F-16



F-16D

F-17

SECTION #
@ D-3 ONLY



NOTES:

1. CLEAR 1 1/2" INSIDE FORMED SURFACES
2. CLEAR 2" FORMED SURFACES TO EARTH
3. CLEAR 3" ALL SIDES SPREAD FTGS.
4. STAGGER ALL LAPS
5. ALTERNATE ALL HOOKS AND HAIRPIN CAPS
6. LAPS AS LISTED UNLESS OTHERWISE NOTED

* WHERE GRADE BEAM OCCURS THRU SPREAD FTG., ARRANGE FTG. BARS TO OUTSIDE OF BEAM.

SPREAD FTGS. LOWER FOUNDATION

(SEE SHEET S-2 FOR PLASTER DOWELS)

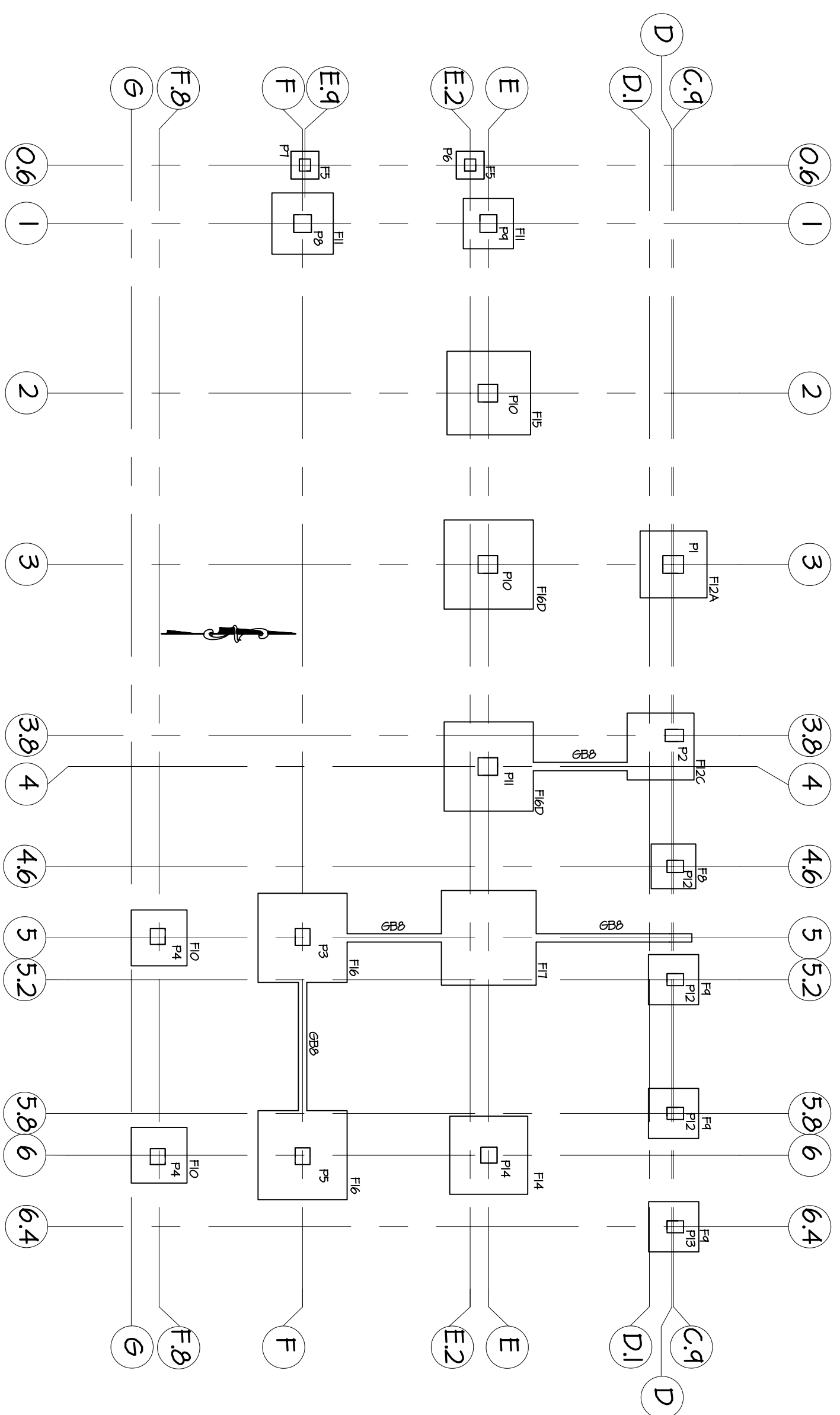
REVISIONS	BY
1/21/03	DD
2/11/04	DD

MARTIN IRONWORKS
530 E. FOURTH RENO, NV 89512
(775) 329-8631

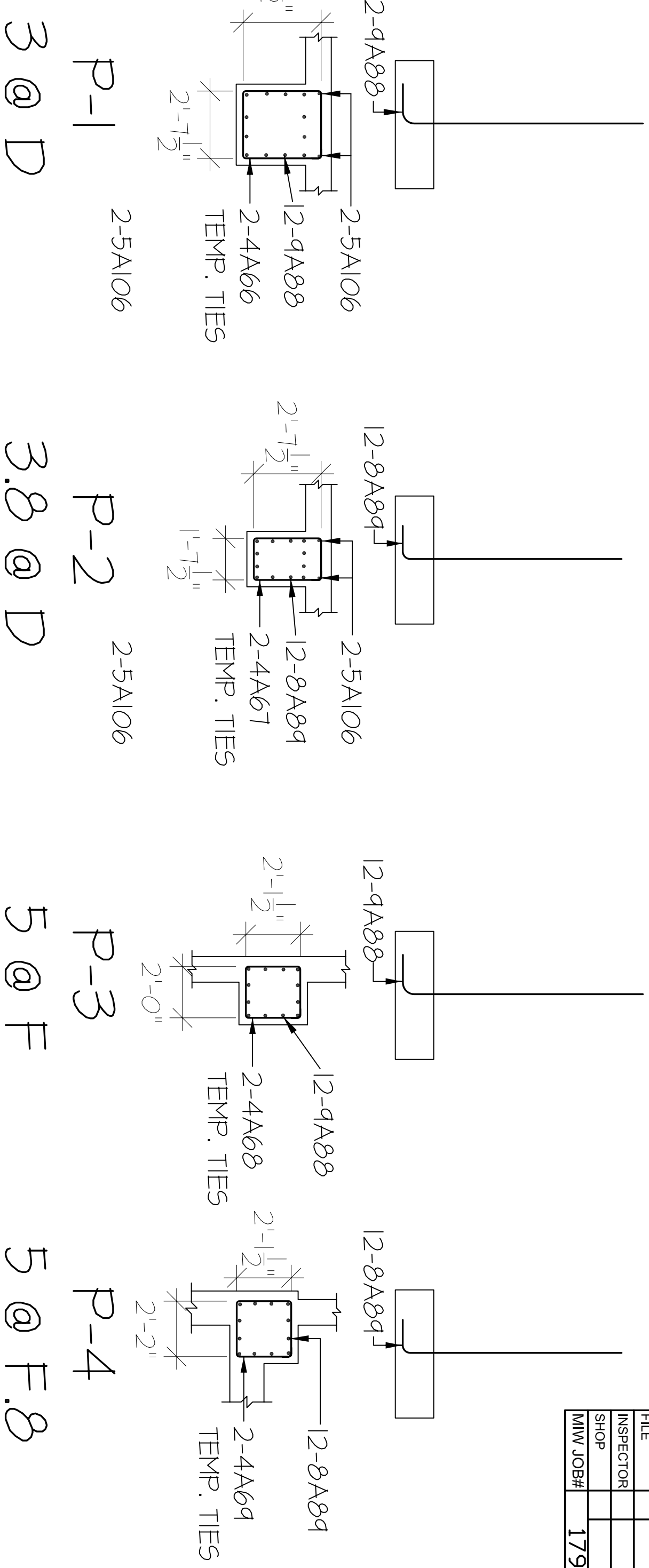
MOS
Man of Steel Drafting, INC.
735 FLANDERS RD. RENO, NV 89511
TEL: (775) 853-6633 FAX: (775) 853-6667

The full intent and purpose of this drawing is the placing and fabrication of reinforcing steel bars ONLY. It is NOT to be used as a means of communication between the Architect, Engineer, Contractor or any other Sub-Contractor/Trade.
Reinforcing steel placing drawings only. Use in conjunction with contract drawings and specifications. Elevations and dimensions shown in this drawing are for detailing purposes only and should not be used for construction unless verified by engineer or contractor.

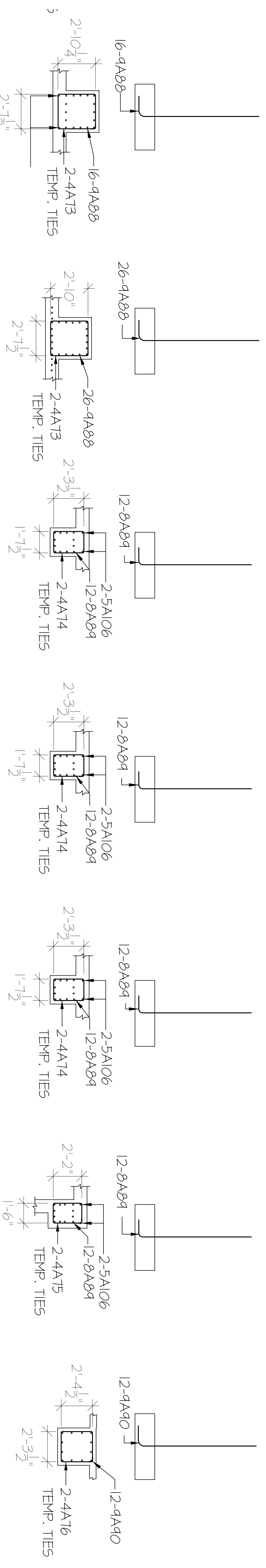
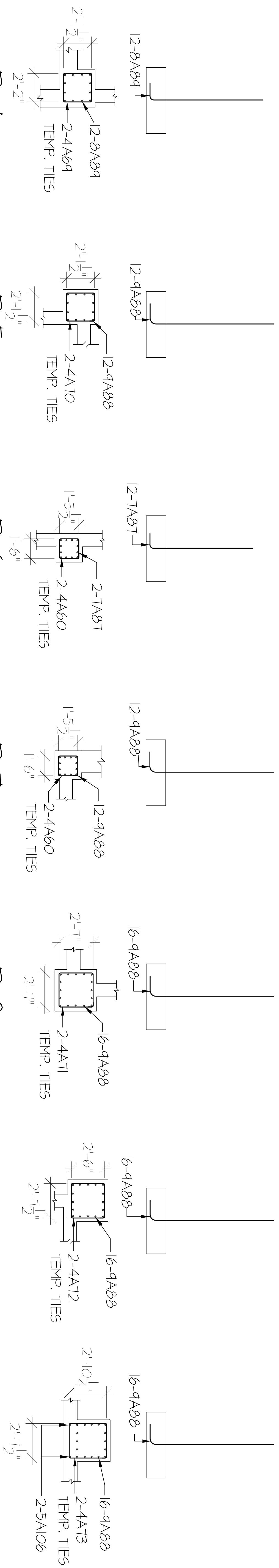
FOR	NO.	DATE	NO.	DATE
APPROVAL				
APPROVAL				
SHOP				
FIELD				
CUSTOMER				
FILE				
INSPECTOR				
SHOP				
MIM JOB#	17903			



LOWER LEVEL SPREAD FTGS. AND GRADE BEAMS



COPIES ISSUED BY MIV			
FOR	NO.	DATE	NO.
APPROVAL			
APPROVAL			
FIELD			
CUSTOMER			
FILE			
INSPECTOR			
SHOP			
MIV JOB#	17903		



PILASTER DOWELS LOWER FOUNDATION

(SEE SHEET S-1 FOR SPREAD FTGS.)

SEE SHEET # FOR NOTES

REVISIONS	BY
Δ FINAL 1/07/04	DP
Δ	
Δ	
Δ	
Δ	
Δ	
Δ	

The full intent and purpose of this drawing is the placing and fabrication of reinforcing steel bars ONLY. It is NOT to be used as a means of communication between the Architect, Engineer, Contractor or any other Sub-Contractor/Trade.
Reinforcing steel placing drawings only. Use in conjunction with contract drawings and specifications. Elevations and dimensions shown in this drawing are for detailing purposes only and should not be used for construction unless verified by engineer or contractor.

MOS
Man of Steel Drafting, INC.
735 FLANDERS RD. RENO, NV 89511
TEL: (775) 853-6633 FAX: (775) 853-6667

MARTIN IRONWORKS
530 E. FOURTH RENO, NV 89512
(775) 329-8631

MOSJOB # 1103-3
DATE 11/12/03
DRAWN BY: DD
PROJECT NAME ST. MARY'S EXPANSION
TITLE OF DWG: LMR SPRD DOWELS
SHEET 02 OF 25 SHEETS

COPIES ISSUED BY MIM			
FOR	NO	DATE	NO
FOR			
APPROVAL			
APPROVAL			
SHOP			
FIELD			
CUSTOMER			
FILE			
INSPECTOR			
SHOP			
MIM JOB#	17903		

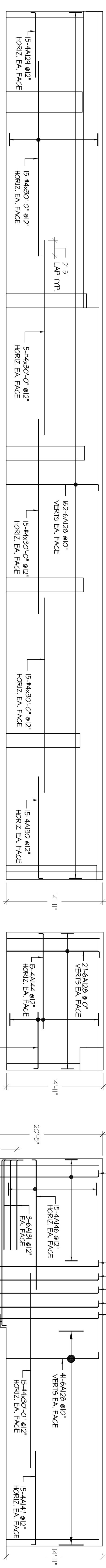
REVISIONS	BY
1 12/22/03 ADDED NOTE	DD
2 FINAL LOT/04	DD
3 SKETCH/1/3/04 MIM	DD

The full intent and purpose of this drawing is the placing and fabrication of reinforcing steel bars ONLY.
 THIS DRAWING IS NOT to be used as a means of communication between the Architect, Engineer, Contractor or any other Sub-Contractor/Trade.
 Reinforcing steel placing drawings only. Use in conjunction with contract drawings and specifications. Elevations and dimensions shown in this drawing are for detailing purposes only and should not be used for construction unless verified by engineer or contractor.

MOS
 Man of Steel Drafting, INC.
 735 FLANDERS RD. RENO, NV 89511
 TEL: (775) 853-6633 FAX: (775) 853-6667

MARTIN IRONWORKS
 530 E. FOURTH RENO, NV 89512
 (775) 329-8631

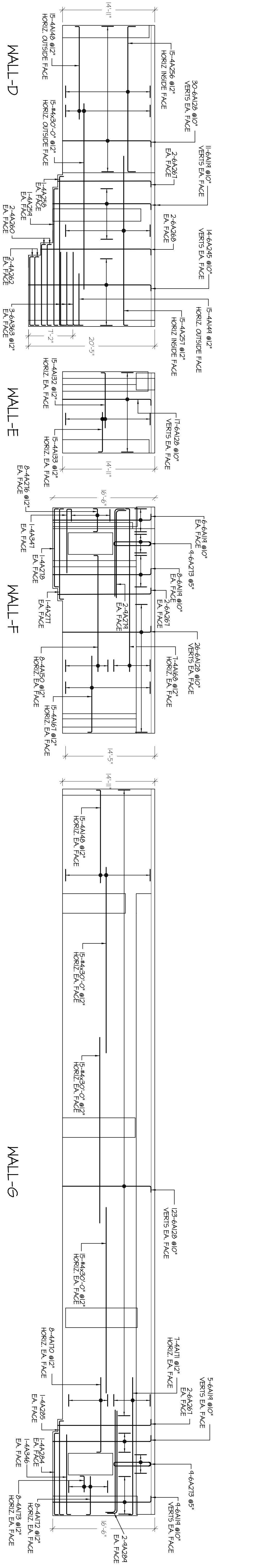
MOSD JOB #	1103-3
DATE	12/08/03
DRAWN BY:	DD
PROJECT NAME	ST. MARY'S EXPANSION
TITLE OF DWG.	LOWER WALLS
SHEET	



WALL-A

WALL-B

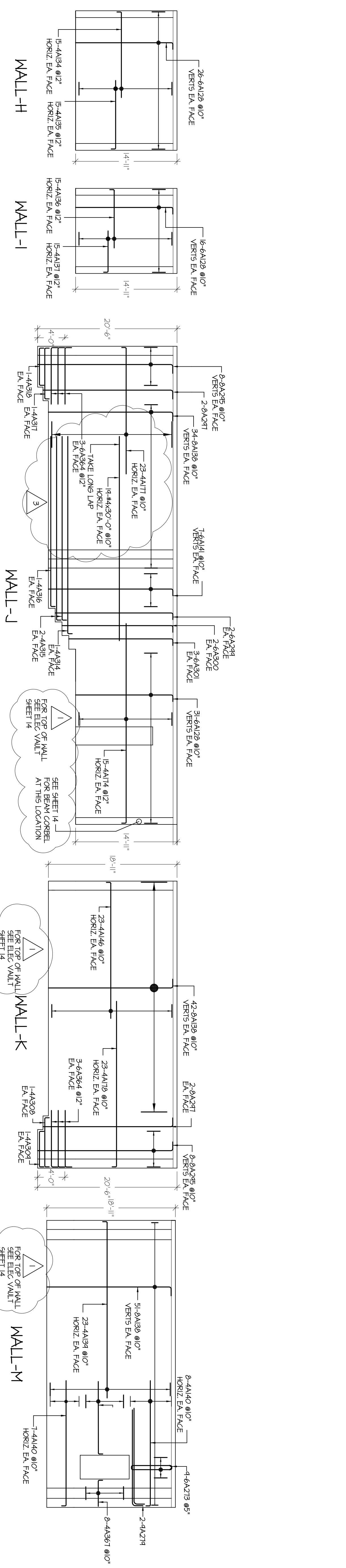
WALL-C



WALL-E

WALL-F

WALL-G



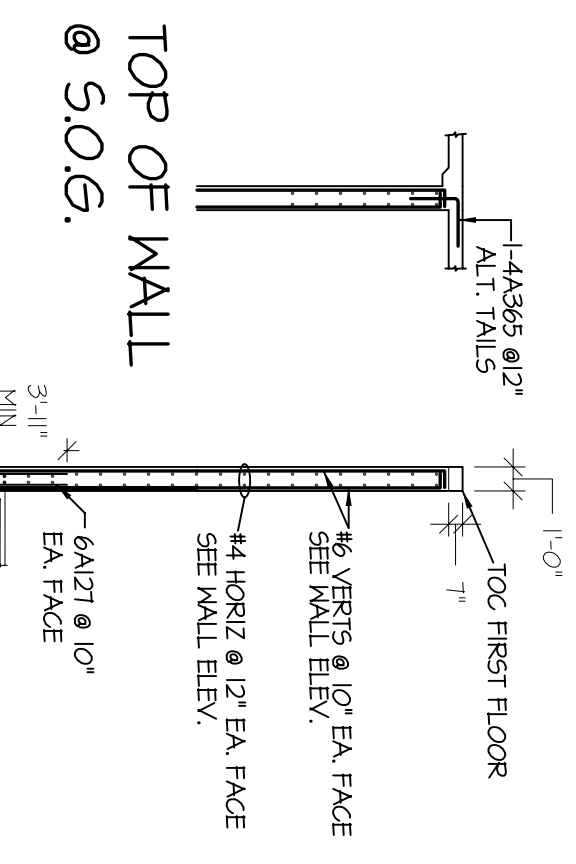
WALL-H

WALL-I

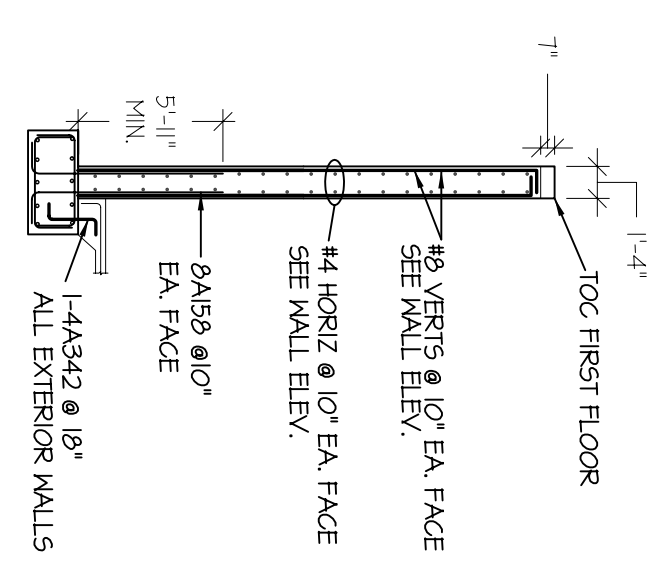
WALL-J

WALL-K

WALL-M



TYP. WALL SECTION



WALL SECTION @ ELEC. VAULT

LOWER ELEVATION WALLS

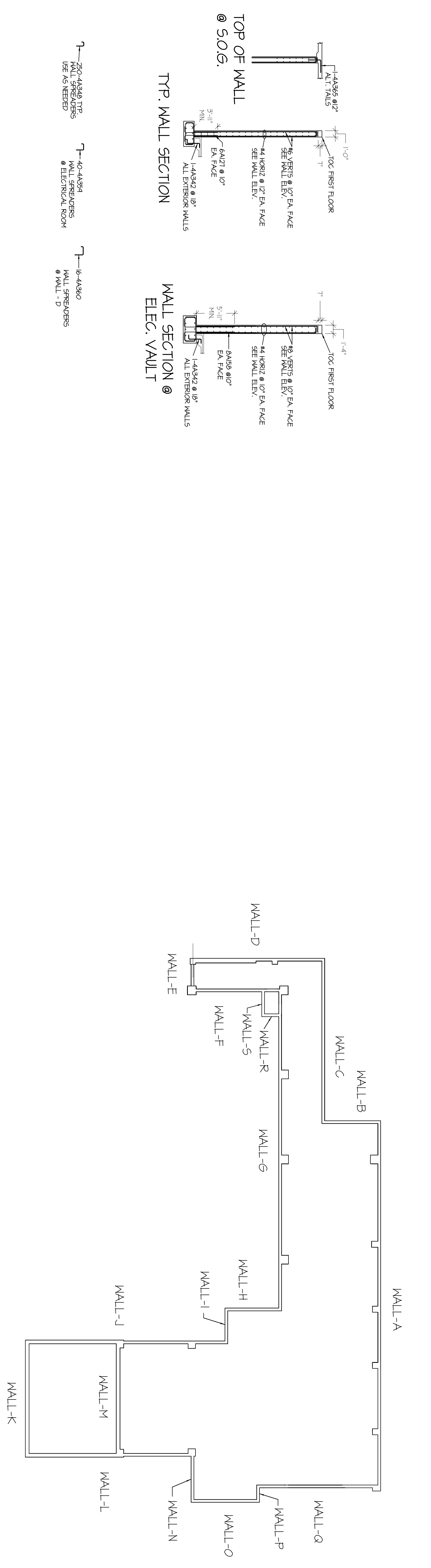
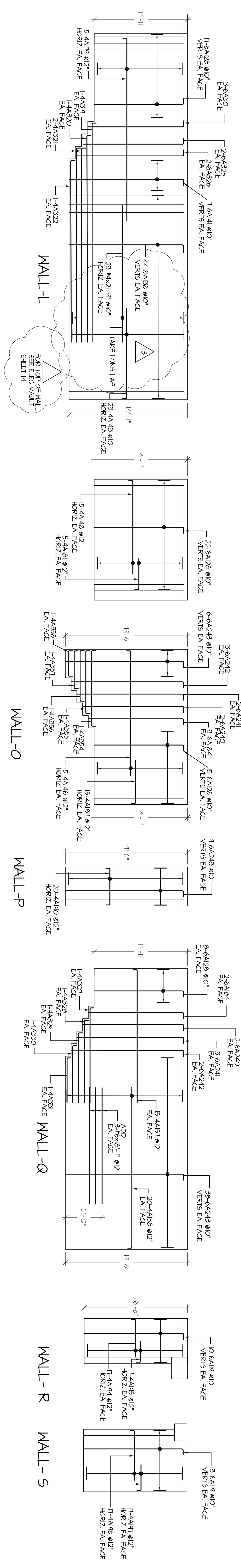
SEE SHEET #06 FOR LAYOUT

- NOTES:
1. CLEAR 1 1/2" INSIDE FORMED SURFACES.
 2. CLEAR 2" FORMED SURFACES TO EARTH
 3. CLEAR 3" ALL SIDES SPREAD FTGS.
 4. STAGGER ALL LAPS
 5. ALTERNATE ALL HOOKS AND HAIRPIN CAPS
 6. LAPS AS LISTED UNLESS OTHER WISE NOTED
- #4 - 2'-5"
 #5 - 3'-0"
 #6 - 3'-1"
 #7 - 5'-2"
 #8 - 5'-11"

1. CONTINUE WALL VERTIS THROUGH COLUMNS EXCEPT WHERE VERTIS CONFLICT WITH COL. VERTIS UNDER BASE PLATE.
2. STAGGER ALL HORIZ. BAR LAPS.
3. LAPS IN DOUBLE CURTAIN WALLS SHALL NOT BE IN THE SAME LOCATION.

- 1-20-4A398 TYP WALL SPREADERS (SEE AS NEEDED)
- 1-40-4A394 WALL SPREADERS ELECTRICAL ROOM
- 1-6-4A360 WALL SPREADERS WALL - D

COPIES ISSUED BY MIW			
FOR	NO	DATE	DATE
FOR APPROVAL			
APPROVAL			
SHOP			
FIELD			
CUSTOMER			
FILE			
INSPECTOR			
SHOP			
MIW JOB#	17903		



- NOTES:
1. CLEAR 1/2" INSIDE FORMED SURFACES
 2. CLEAR 2" FORMED SURFACES TO EARTH
 3. CLEAR 3" ALL SIDES SPREAD FTGS.
 4. STAGGER ALL LAPS
 5. ALTERNATE ALL HOOKS AND HAIRPIN CAPS
 6. LAPS AS LISTED UNLESS OTHER WISE NOTED

7. CONTINUE WALL VERTS THROUGH COLUMNS EXCEPT WHERE VERTS CONFLICT WITH COL. BASE PLATE AT THESE LOCATIONS, HOOK VERTS UNDER BASE PLATE.
8. STAGGER ALL HORIZ. BAR LAPS.
9. LAPS IN DOUBLE CURTAIN WALLS SHALL NOT BE IN THE SAME LOCATION.

LOWER ELEVATION WALLS

REVISIONS	BY
1/22/20	DD
2/ FINAL 1/10/04	DD
3/ SHORTEN WALL 1/9/04	DD

The full intent and purpose of this drawing is the placing and fabrication of reinforcing steel bars ONLY.
 NOT to be used as a means of communication between the Architect, Engineer, Contractor or any other Sub-Contractor/Trade.
 Reinforcing steel placing drawings only. Use in conjunction with contract drawings and specifications. Elevations and dimensions shown in this drawing are for detailing purposes only and should not be used for construction unless verified by engineer or contractor.

MOS
 Man of Steel Drafting, INC.
 735 FLANDERS RD. RENO, NV 89511
 TEL: (775) 853-6633 FAX: (775) 853-6667

MARTIN IRONWORKS
 530 E. FOURTH RENO, NV 89512
 (775) 329-8631

MOSDI JOB # 1103-3
 DATE 12/08/03
 DRAWN BY: DD
 PROJECT NAME ST. MARY'S EXPANSION
 TITLE OF DWG. LOWER WALLS
 SHEET 06
 OF 25 SHEETS

REVISIONS BY

✓	
✓	
✓	
✓	
✓	
✓	
✓	
✓	

The full intent and purpose of this drawing is the placing and fabrication of reinforcing steel bars ONLY. It is NOT to be used as a means of communication between the Architect, Engineer, Contractor or any other Sub-Contractor/Trade.

Reinforcing steel placing drawings only. Use in conjunction with contract drawings and specifications. Elevations and dimensions shown in this drawing are for detailing purposes only and should not be used for construction unless verified by engineer or contractor.



735 FLANDERS RD. RENO, NV 89511
TEL:(775) 853-6633 FAX:(775) 853-6667

MARTIN IRONWORKS

530 E. FOURTH RENO, NV 89512
(775) 329-8631

MOSDI JOB # 1103-3

DATE 12/05/03

DRAWN BY: DD

PROJECT NAME ST. MARY'S EXPANSION

TITLE OF DWG LOWER PLASTER

SHEET

06

OF 25 SHEETS

- NOTES:
1. CLEAR 1 1/2" INSIDE FORMED SURFACES
 2. CLEAR 2" FORMED SURFACES TO EARTH
 3. CLEAR 3" ALL SIDES SPREAD FTGS.
 4. STAGGER ALL LAPS
 5. ALTERNATE ALL HOOKS AND HAIRPIN CAPS
 6. LAPS AS LISTED UNLESS OTHER WISE NOTED
- #4 - 2'-5"
 - #5 - 3'-0"
 - #6 - 3'-7"
 - #7 - 5'-2"
 - #8 - 5'-11"