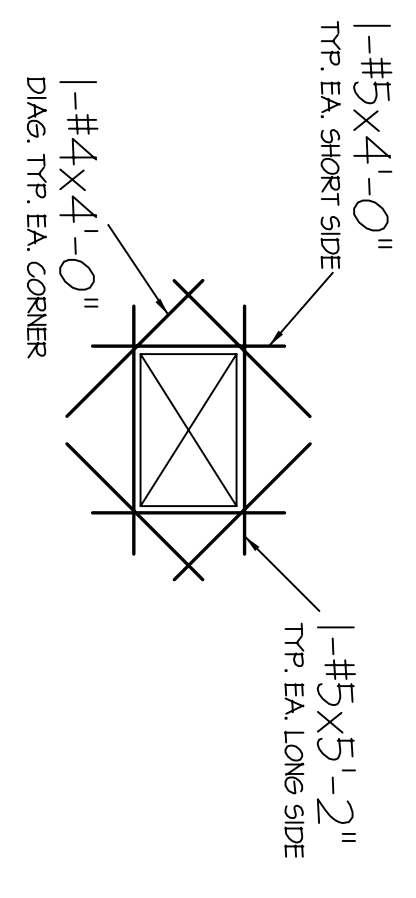


NO.	DESCRIPTION	DATE
01	ISSUED FOR PERMITS	11/15/2003
02	REVISED PER COMMENTS	11/15/2003

NO.	DESCRIPTION	DATE
01	ISSUED FOR PERMITS	11/15/2003
02	REVISED PER COMMENTS	11/15/2003

USE THIS TRIM FOR ALL
AC PENETRATIONS.
(13 PENETRATIONS) SECOND FLOOR)



- NOTES:**
1. 3" CLR TO EARTH
 2. 2" CLR TO FORMS
 3. 1 1/2" CLR TO EXT. WALLS W/#5
 4. 2" CLR TO EXT. WALLS W/#6
 5. ALL BARS 60 GRADE A615
 6. ALT LAP SPLICES

SECOND FLOOR
SCALE 1/8" = 1'-0"

MOSDI JOB #	1103-01
DATE	11/15/2003
DRAWN BY:	DNM
PROJECT NAME	ISLAND PACIFIC ACADEMY
TITLE	FOUND. FLOOR PLAN
SHEET	

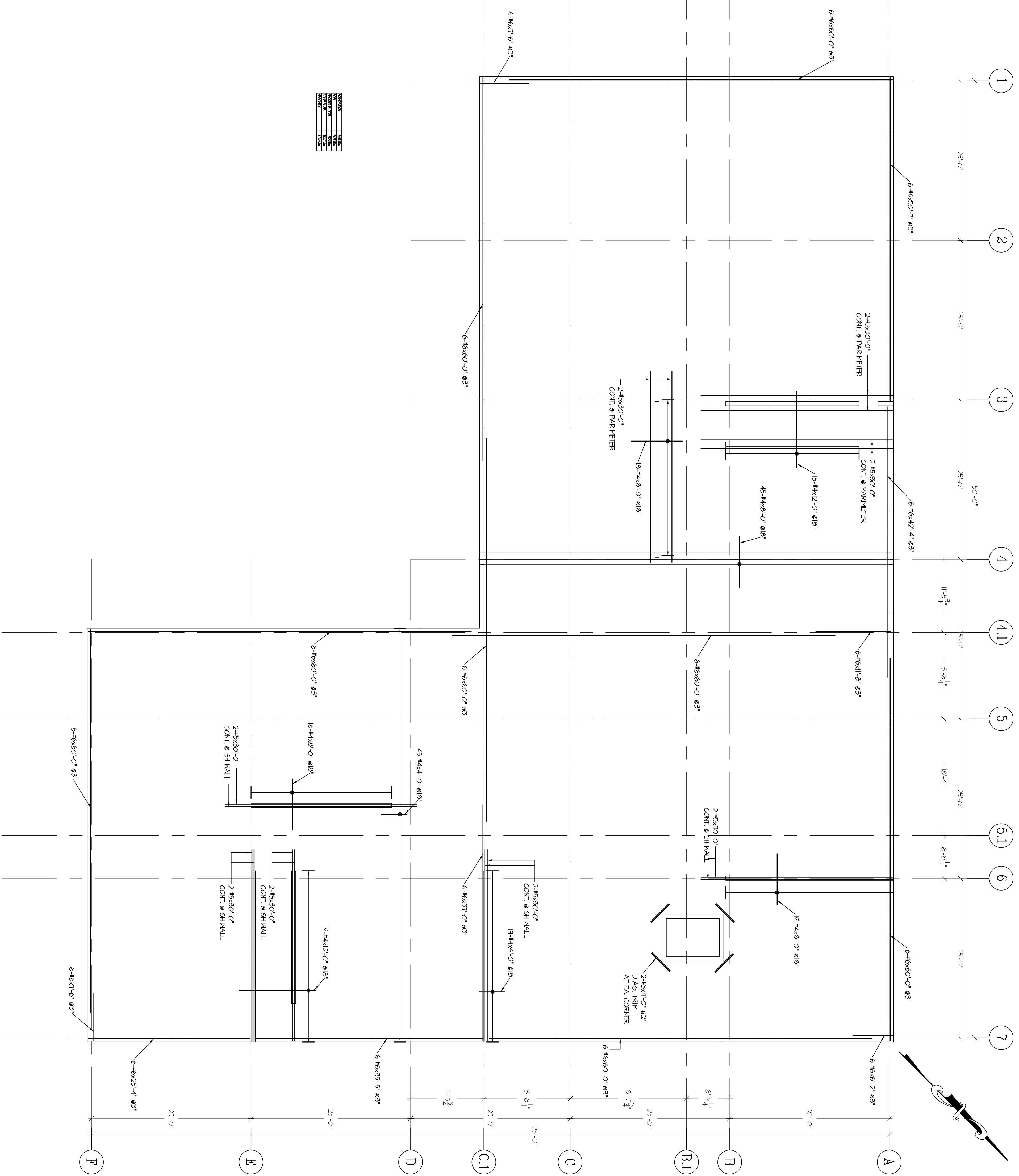
SOUTH PACIFIC STEEL
PO BOX 700028 KAPOLEI, HI 96709
(808) 682-4766

MOS
Man of Steel Drafting, Inc.
735 FLANDERS RD. RENO, NV 89511
TEL. (775) 853-6633 FAX. (775) 853-6667

The full intent and purpose of this drawing is the placing and fabrication of reinforcing steel bars ONLY. It is NOT to be used as a means of communication between the Architect, Engineer, Contractor or any other Sub-Contractor/Trade.

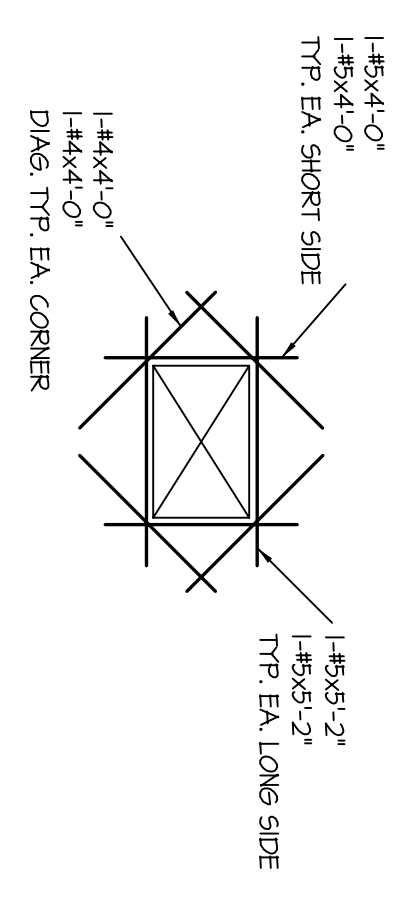
Reinforcing steel placing drawings only. Use in conjunction with contract drawings and specifications. Elevations and dimensions shown in this drawing are for detailing purposes only and should not be used for construction unless verified by engineer or contractor.

REVISIONS	BY



NO.	DESCRIPTION	DATE
1	ISSUED FOR PERMITS	11/15/2003
2	ISSUED FOR CONSTRUCTION	11/15/2003

USE THIS TRIM FOR ALL AC PENETRATIONS. (14 PENETRATIONS ROOF LEVEL)



- NOTES:
1. 3" CLR TO EARTH
 2. 2" CLR TO FORMS
 3. 1 1/2" CLR TO EXT. WALLS W/#5
 4. 2" CLR TO EXT. WALLS W/#6
 5. ALL BARS 60GRADE A615
 6. ALT LAP SPLICES

ROOF PLAN
SCALE 1/8" = 1'-0"

REVISIONS	BY

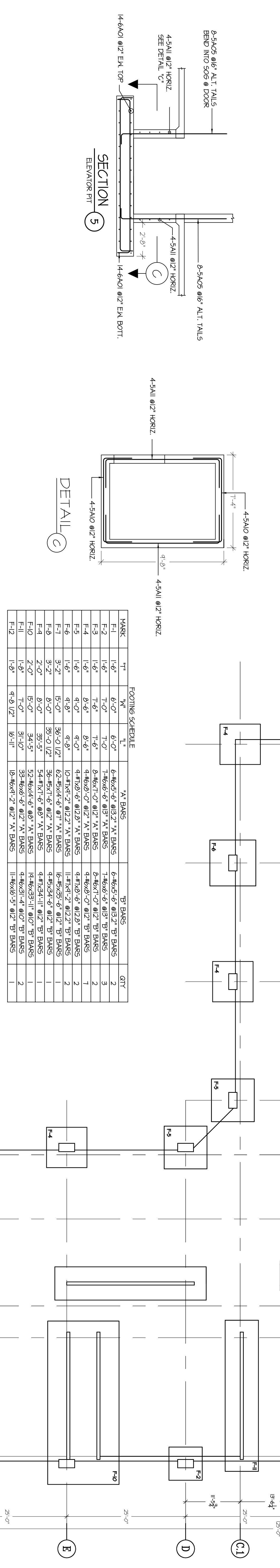
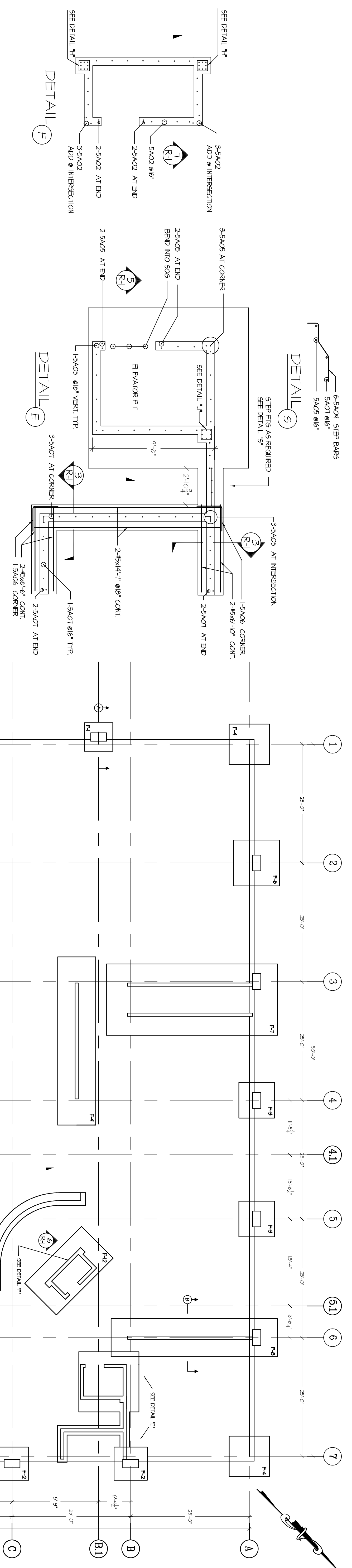
The full intent and purpose of this drawing is the placing and fabrication of reinforcing steel bars ONLY. It is NOT to be used as a means of communication between the Architect, Engineer, Contractor or any other Sub-Contractor/Trade.

Reinforcing steel placing drawings only. Use in conjunction with contract drawings and specifications. Elevations and dimensions shown in this drawing are for detailing purposes only and should not be used for construction unless verified by engineer or contractor.

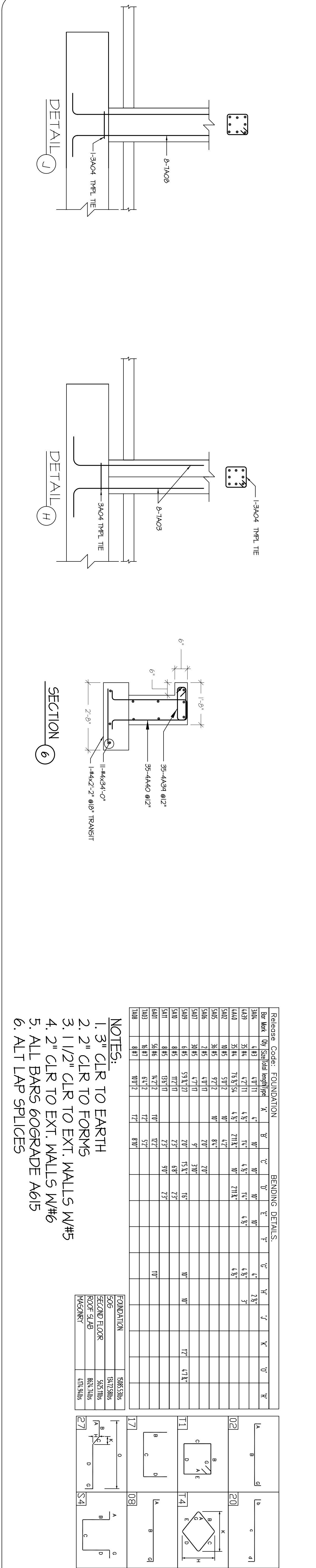
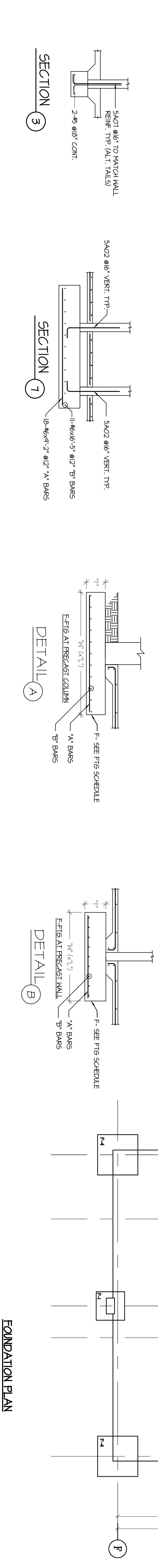
MOS
Man of Steel Drafting, INC.
735 FLANDERS RD. RENO, NV 89511
TEL.(775) 853-6633 FAX.(775) 853-6667

SOUTH PACIFIC STEEL
PO BOX 700028 KAPOLEI, HI 96709
(808) 682-4766

MOSDI JOB # 1103-01
DATE 11/15/2003
DRAWN BY: DDM
PROJECT NAME ISLAND PACIFIC ACADEMY
TITLE: DWG. FOUNDATION
SHEET R-4
OF 4 OF 4 SHEETS



MARK	T	W	L	W	L	W	L	QTY
F-1	1'-6"	6'-0"	6'-0"	6'-0"	6'-0"	6'-0"	6'-0"	2
F-2	1'-6"	7'-0"	7'-0"	7'-0"	7'-0"	7'-0"	7'-0"	3
F-3	1'-6"	7'-0"	7'-0"	7'-0"	7'-0"	7'-0"	7'-0"	2
F-4	1'-6"	8'-6"	8'-6"	8'-6"	8'-6"	8'-6"	8'-6"	7
F-5	1'-6"	9'-0"	9'-0"	9'-0"	9'-0"	9'-0"	9'-0"	2
F-6	1'-6"	9'-0"	9'-0"	9'-0"	9'-0"	9'-0"	9'-0"	2
F-7	3'-2"	15'-0"	15'-0"	15'-0"	15'-0"	15'-0"	15'-0"	1
F-8	3'-2"	15'-0"	15'-0"	15'-0"	15'-0"	15'-0"	15'-0"	1
F-9	2'-0"	15'-0"	15'-0"	15'-0"	15'-0"	15'-0"	15'-0"	1
F-10	2'-0"	15'-0"	15'-0"	15'-0"	15'-0"	15'-0"	15'-0"	1
F-11	1'-8"	17'-0"	17'-0"	17'-0"	17'-0"	17'-0"	17'-0"	2
F-12	1'-8"	17'-0"	17'-0"	17'-0"	17'-0"	17'-0"	17'-0"	2



Section	Code	Description	W	L	W	L	W	L	W	L	W	L	W	L	W	L	W	L
300	300	300	4'0"	4'0"	4'0"	4'0"	4'0"	4'0"	4'0"	4'0"	4'0"	4'0"	4'0"	4'0"	4'0"	4'0"	4'0"	4'0"
301	301	301	4'0"	4'0"	4'0"	4'0"	4'0"	4'0"	4'0"	4'0"	4'0"	4'0"	4'0"	4'0"	4'0"	4'0"	4'0"	4'0"
302	302	302	4'0"	4'0"	4'0"	4'0"	4'0"	4'0"	4'0"	4'0"	4'0"	4'0"	4'0"	4'0"	4'0"	4'0"	4'0"	4'0"
303	303	303	4'0"	4'0"	4'0"	4'0"	4'0"	4'0"	4'0"	4'0"	4'0"	4'0"	4'0"	4'0"	4'0"	4'0"	4'0"	4'0"
304	304	304	4'0"	4'0"	4'0"	4'0"	4'0"	4'0"	4'0"	4'0"	4'0"	4'0"	4'0"	4'0"	4'0"	4'0"	4'0"	4'0"
305	305	305	4'0"	4'0"	4'0"	4'0"	4'0"	4'0"	4'0"	4'0"	4'0"	4'0"	4'0"	4'0"	4'0"	4'0"	4'0"	4'0"
306	306	306	4'0"	4'0"	4'0"	4'0"	4'0"	4'0"	4'0"	4'0"	4'0"	4'0"	4'0"	4'0"	4'0"	4'0"	4'0"	4'0"
307	307	307	4'0"	4'0"	4'0"	4'0"	4'0"	4'0"	4'0"	4'0"	4'0"	4'0"	4'0"	4'0"	4'0"	4'0"	4'0"	4'0"
308	308	308	4'0"	4'0"	4'0"	4'0"	4'0"	4'0"	4'0"	4'0"	4'0"	4'0"	4'0"	4'0"	4'0"	4'0"	4'0"	4'0"
309	309	309	4'0"	4'0"	4'0"	4'0"	4'0"	4'0"	4'0"	4'0"	4'0"	4'0"	4'0"	4'0"	4'0"	4'0"	4'0"	4'0"
310	310	310	4'0"	4'0"	4'0"	4'0"	4'0"	4'0"	4'0"	4'0"	4'0"	4'0"	4'0"	4'0"	4'0"	4'0"	4'0"	4'0"
311	311	311	4'0"	4'0"	4'0"	4'0"	4'0"	4'0"	4'0"	4'0"	4'0"	4'0"	4'0"	4'0"	4'0"	4'0"	4'0"	4'0"
312	312	312	4'0"	4'0"	4'0"	4'0"	4'0"	4'0"	4'0"	4'0"	4'0"	4'0"	4'0"	4'0"	4'0"	4'0"	4'0"	4'0"
313	313	313	4'0"	4'0"	4'0"	4'0"	4'0"	4'0"	4'0"	4'0"	4'0"	4'0"	4'0"	4'0"	4'0"	4'0"	4'0"	4'0"
314	314	314	4'0"	4'0"	4'0"	4'0"	4'0"	4'0"	4'0"	4'0"	4'0"	4'0"	4'0"	4'0"	4'0"	4'0"	4'0"	4'0"
315	315	315	4'0"	4'0"	4'0"	4'0"	4'0"	4'0"	4'0"	4'0"	4'0"	4'0"	4'0"	4'0"	4'0"	4'0"	4'0"	4'0"
316	316	316	4'0"	4'0"	4'0"	4'0"	4'0"	4'0"	4'0"	4'0"	4'0"	4'0"	4'0"	4'0"	4'0"	4'0"	4'0"	4'0"
317	317	317	4'0"	4'0"	4'0"	4'0"	4'0"	4'0"	4'0"	4'0"	4'0"	4'0"	4'0"	4'0"	4'0"	4'0"	4'0"	4'0"
318	318	318	4'0"	4'0"	4'0"	4'0"	4'0"	4'0"	4'0"	4'0"	4'0"	4'0"	4'0"	4'0"	4'0"	4'0"	4'0"	4'0"

NOTES:

- 3" CLR TO EARTH
- 2" CLR TO FORMS
- 1 1/2" CLR TO EXT. WALLS W/#5
- 2" CLR TO EXT. WALLS W/#6
- ALL BARS 60GRADE A615
- ALT LAP SPLICES

SOUTH PACIFIC STEEL
 PO BOX 700028 KAPOLEI, HI 96709
 (808) 682-4766

Man of Steel Drafting, INC.
 735 FLANDERS RD. RENO, NV 89511
 TEL. (775) 853-6633 FAX. (775) 853-6667

REVISIONS	BY

PROJECT NAME: ISLAND PACIFIC ACADEMY
 TITLE: DWG. FOUNDATION
 SHEET: R-1

MOSDI JOB # SP54596
 DATE: 11/15/2003
 DRAWN BY: MAM

OF 1 OF 4 SHEETS